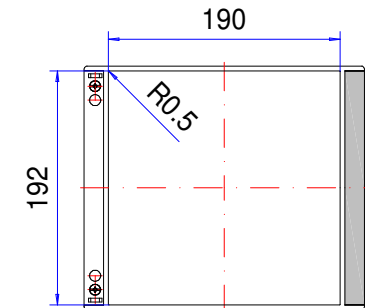
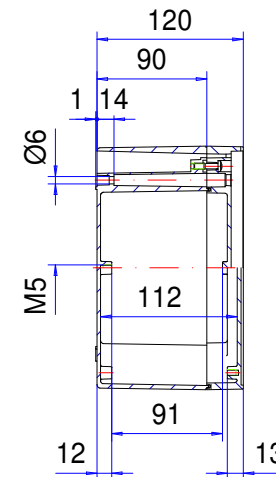
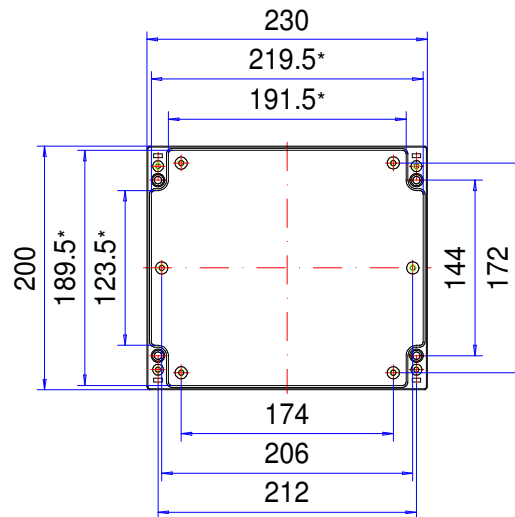
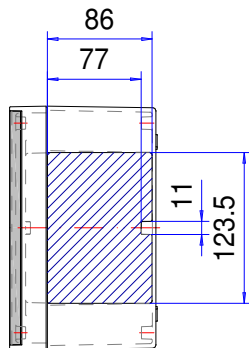
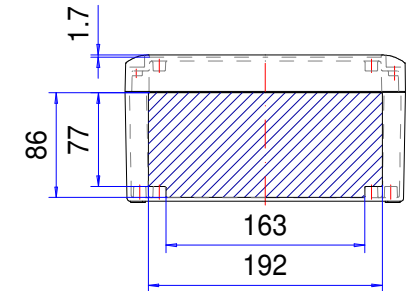
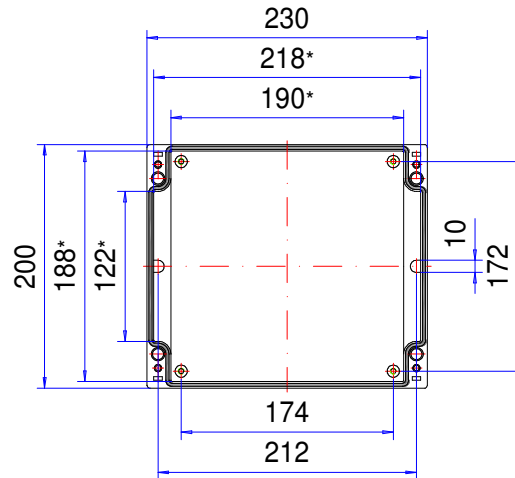


# Enclosure series aluCASE


Type: AC 200

Material-No.: 191.200.100



Folie/ Keypad  
191.4<sup>+0</sup><sub>-0.2</sub> x 189.4<sup>+0</sup><sub>-0.2</sub>

\* Please note: Mould slope for casting ejection, dimensions in the amount of the bottom!

|                    |  |  |                    |   |
|--------------------|--|--|--------------------|---|
| Enclosure material | GD-Al Si 12 (DIN 1725)                   |  | Gasket             | 1x TPE moulded gasket, silicone-free, black     |
| Lid screws         | 4x stainless steel 1.4567 (V2A), captive |  | Ingress protection | IP67 EN 60529                                   |
| Assembly screws    | 5x M5x8, galvanized steel                |  | Weight             | 2.005 g   |
| Design covers      | 2x Aluminium, silver anodized            |  | Coating            | Powder coating RAL 7040, window grey            |
| Lid supports       | 2x Polypropylene (PP), window grey       |  | Tolerance          | GTA 13/5 DIN 1688-4 (outside dimensions ±0,5mm) |