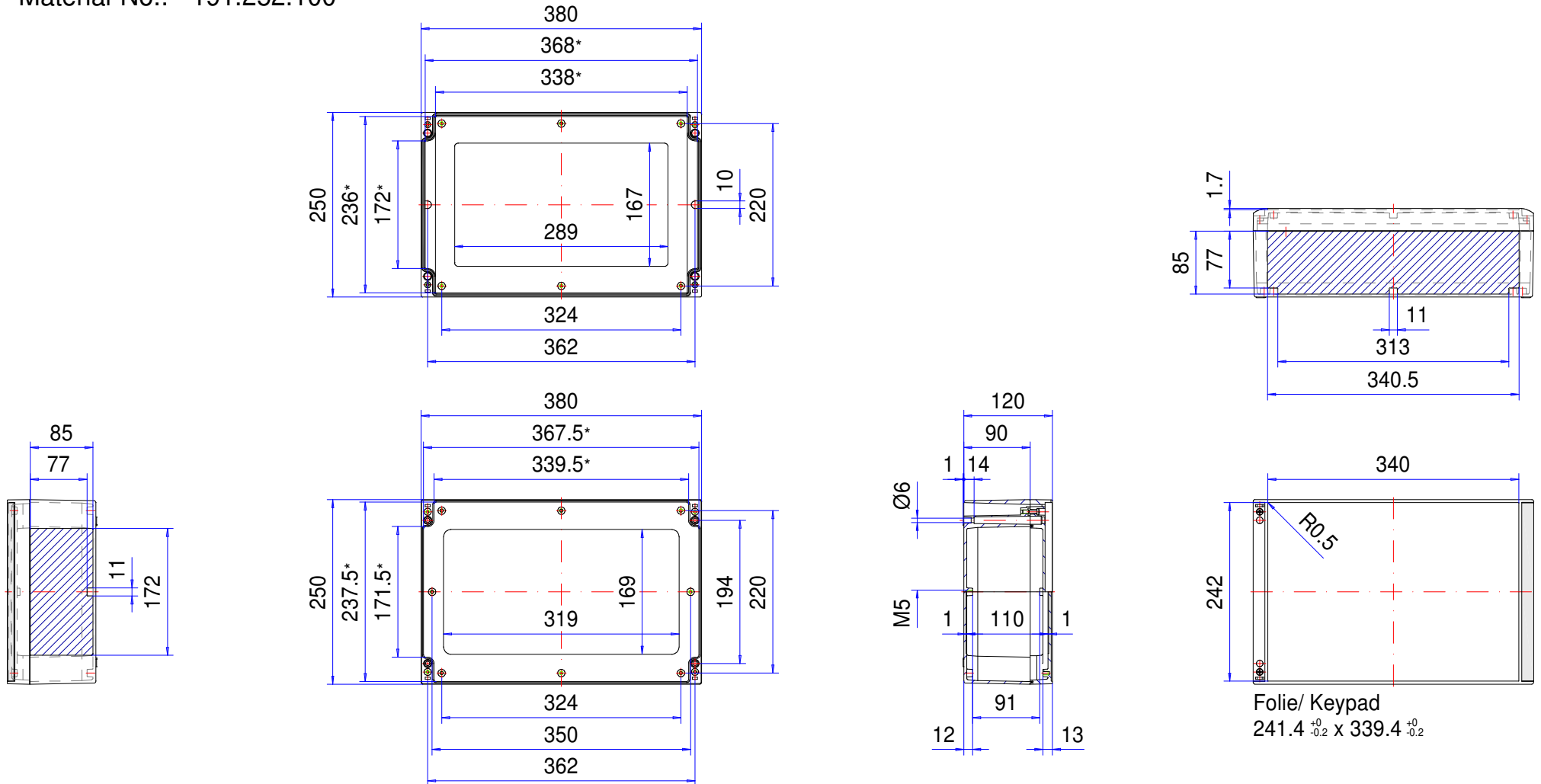



# Enclosure series aluCASE

Type: AC 252

Material-No.: 191.252.100



\* Please note: Mould slope for casting ejection, dimensions in the amount of the bottom!

Enclosure material	GD-Al Si 12 (DIN 1725)		Gasket	1x Chloroprene (CR), light grey
Lid screws	4x stainless steel 1.4567 (V2A), captive		Ingress protection	IP66 EN 60529
Assembly screws	5x M5x8, galvanized steel		Weight	3.290 g
Design covers	2x Aluminium, silver anodized		Coating	Powder coating RAL 7040, window grey
Lid supports	2x Polypropylene (PP), window grey		Tolerance	GTA 13/5 DIN 1688-4 (outside dimensions ±0,5mm)