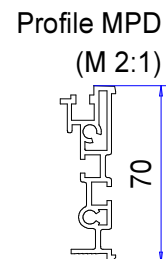
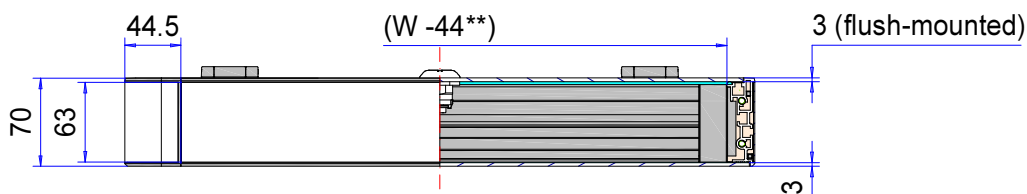
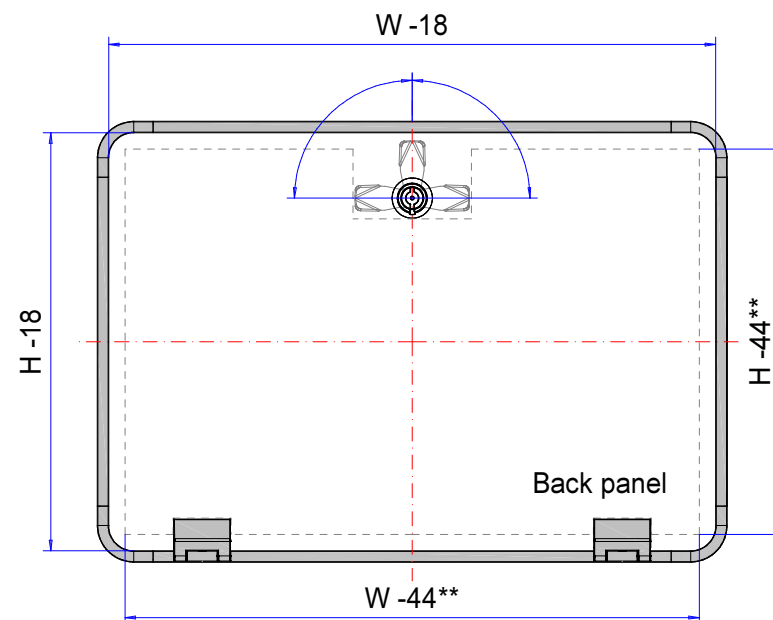
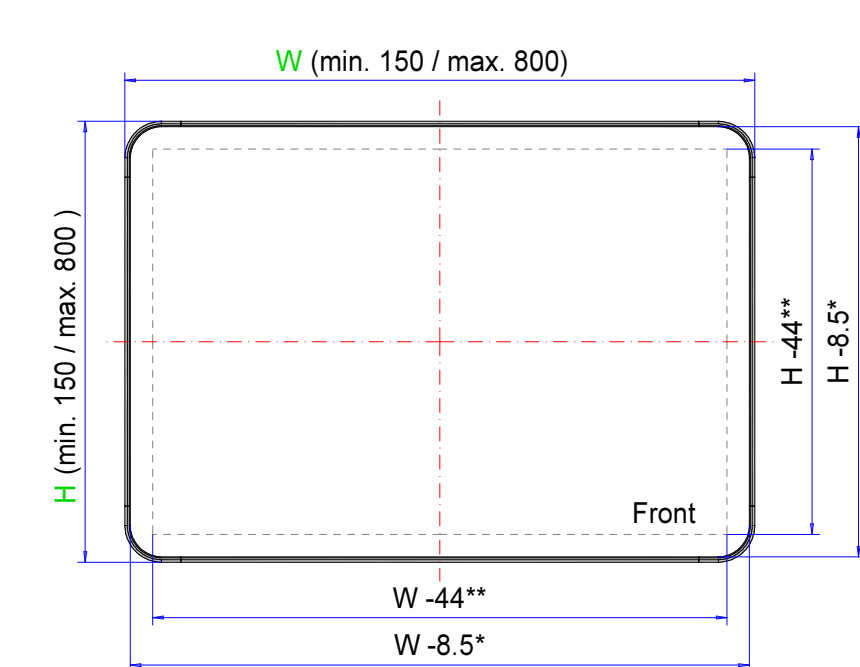



Enclosure series multiPANEL Display

Type: MPD 7012

Material-No.: 320.112.AAA



* Visible front surface, ** utilization area

Enclosure material	Alu profile (Al Mg Si 0,5), corner element (Al Si 12)		Front plate	Aluminium 3mm (Al Mg 1), anodized
Fastener	Back panel, hinges and double-bit fastener		Back panel	Aluminium 3mm (Al Mg 1), RAL 9005, black
Gasket	Dosed, PUR		Corpus	Decor inlay: stainless steel brushed, enclosure: RAL 9005, black
Ingress protection	IP65 EN 60529		Tolerance	DIN ISO 2768 m (outside dimensions ±1mm)
Weight	Varied depending on the configuration			

320.112.001
MPD 7012 - door with locks and hinges



Product overview

Material	Aluminum
Protection Class	IP 65/ EN 60529
Color	RAL 9005

multiPANEL

THE PREMIUM DESIGN HMI ENCLOSURE

(UL approval only valid for MPD 7000+7011)

IP 65

The most important product features:

- Enclosure material: aluminum profiles, stainless steel decorative inlays
- Enclosure surface: body and rear wall or doors RAL 9005
- Profile enclosure – high-precision production from 150 x 150 mm to 800 x 800 mm
- Firmly glued aluminum front plate
- 2 enclosure heights: 70 and 85 mm
- Connection to the profiPLUS 50 and taraSMART suspension systems
- Enclosure seal: Silicone foam

To configure this product, please [contact us without obligation](#). We are happy to help.

multiPANEL offers the option of integrating every conceivable application. The enclosure front facilitates the permanent installation of a front plate or glass front, e.g. for touch applications. Almost borderless, with flush installation and permanently connected with the enclosure. Suitable cut-outs for switches and more are included in the service provided by ROLEC, and are established in the production department at the German headquarters in accordance with customer specifications.

With the flat multiPANEL 70 version, the rear wall is optionally available with a flush rear wall, which can be supplied as a fully bolted version, bolted with hinges or with locks and hinges. multiPANEL 85 is also available for an even greater enclosure depth. Internal mountings can naturally also be installed in the door. For this purpose, stays are fitted inside the door on request by the customer, in preparation for the technical installation.

Enclosure sizes

Made to customer required sizes

L x W x H max. 800 x 800 x 70/85 mm

Additional infos

Puristic, multi-variable design for modern machines

Profile enclosure – produced to the precise millimetre

Two enclosure depths: 70 and 85 mm

Material/Colour

Extruded aluminium

Aluminium corner pieces mounted with aluminium profiles

Standard front plates: Aluminium 3 mm, Al Mg 1, silver anodised

Optional: Finished front plates, lasered, engraved or printed

Membrane keypads ready for installation

Optional handle: POM RAL 9005, with stainless steel inlay V2A

Fastening

With the suspension arm systems [profiPLUS 50](#) or [taraSMART Panel coupling](#)

Internal mounting

Slide-in contour for spring nuts M4/M5

Ingress protection

IP 65 / EN 60529

Gasket

Silicone foam

Surface

Powder coating RAL 9005 Deep black, fine structure

Optional: other colours

Customising

Learn more about our [full customising service for installation-ready enclosures](#)

Full-Service-Products

Customization according to your wishes.



Our passion is enclosures.



Expert advice

Everything begins with individual advice. We'll be pleased to support you with your project and find solutions for every requirement. Customer-specific solutions are our speciality.



Sample service

Test our products with your internal mounting. We'll be pleased to send you a sample enclosure for inspection with no strings attached.



Drilling

We'll manufacture every enclosure for you according to your exact specifications – whether they involve precise drilling or large tolerance.



Milling

Thanks to our modern CNC production, we can quickly and efficiently mill custom-fit cut-outs and contours to match your exact specifications.



Engraving

Our services also include engraving your logo and other elements, which we can of course perform in any colour you desire.



Lasering

We can process stainless steel enclosures and plates quickly and reliably according to your individual requirements thanks to our in-house lasering centre.



Powder coating

We can powder coat enclosures, command enclosures and suspension systems in any RAL colour you desire. Custom colours are of course also possible.



Painting

We can also paint all our enclosures in any RAL colour you desire. The application of primer and special colour structures are possible, as well.



Serigraphy

If desired, we can apply your logo and lettering or other markings using serigraph printing.



Digital printing

Digital printing is particularly worthwhile for low-volume orders and for realising complex patterns or images.



EMC enclosures

We offer our conFORM low-price standard EMC enclosure to protect your internal mounting against electromagnetic radiation. On request, we can also supply an EMC-compliant version of any other ROLEC enclosure.



Displays

We are able to offer the right made-to-measure display for all our enclosures – in varying sizes and degrees of robustness depending on the application.



Accessories

ROLEC's portfolio also includes matching front plates, mounting plate, supporting rails and terminal blocks as well as a range of cable glands, blanking plugs etc.



Assembly

Would you like to have all your components supplied already assembled? No problem. Our assembly team will be pleased to perform all assembly work on your behalf.



Our Service

If you have any requirements for services not listed here, please ask us. Customer-specific solutions are our speciality. We also are keen to take on unusual tasks.

We will help you with those challenges that many others would give up on.