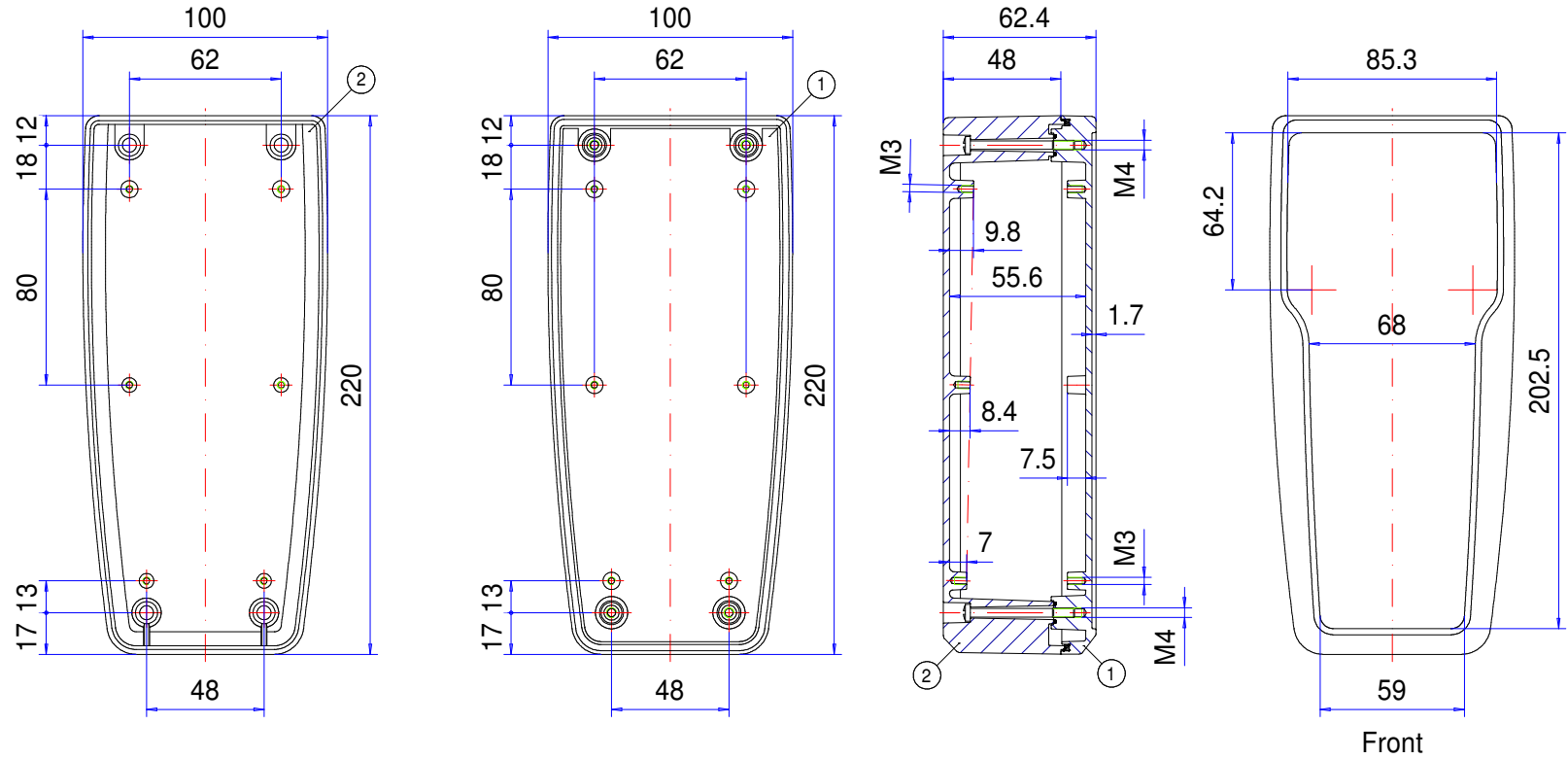


Enclosure series handCASE

Type: HC 100

Material-No.: 271.100.000



① Lid ② Bottom

Enclosure material	GD-Al Si 12 (DIN 1725)		Ingress protection	IP66 EN 60529
Lid screws	4x stainless steel 1.4567 (V2A), captive		Weight	0,660 kg
Gasket	1x TPE moulded gasket, siliconefree, black		Coating	Powder coating RAL 9005, black + silver metallic
			Tolerance	GTA 13/5 DIN 1688-4 (outside dimensions $\pm 0,5\text{mm}$)

271.100.000
handCASE HC 100



Product overview

Material	Aluminum
Protection Class	IP 66/EN 60529, IP 67/EN 60529
Color	Silver 1, RAL 9005
Length (L)	8.66 inch
Width (W)	3.94 inch
Height (H)	2.44 inch
Weight (g)	660 g

handCASE

THE EXTREMELY ROBUST HAND-HELD ENCLOSURE

IP 66, Optional: IP 67

The key product features:

- Enclosure material: diecast aluminium
- Enclosure surface:
 - handCASE lid: powder coating, silver
 - handCASE bottom: powder coating, RAL 9005
 - handCASE-R: powder coating, RAL 7035
- Battery compartment
- Lid screws stainless steel 1.4567
- Integrated recess in cover for membrane keypad or front plate
- Ergonomic design for non-fatiguing work
- Enclosure seal: TPE molded gasket, silicone-free

handCASE is a stylish and highly robust range of handheld enclosures in diecast aluminum. Thanks to their ergonomic design these enclosures sit very comfortably in the hand. The high strength of handCASE provides solid protection for internal electronics and components under the most extreme conditions.

The enclosures are tested to IP 66 protection class and are available with or without battery compartments for 1.5V AA and 9V cells. Threaded screw bosses are provided inside for fitting circuit boards, mounting plates etc. Cable glands and other accessories are also available.

We can supply handCASE enclosures fully customized to your requirements.

Enclosure sizes

4 versions, 2 lid variants

Additional info

Integrated recess in the lid for membrane keypad or front plates

Ergonomic design for non-fatiguing work

Alternative lid design for all enclosure sizes

Optional: Battery compartment made from ABS for 2 versions

Enclosure

Die-cast aluminum alloy:

EN AN-44300 DIN EN 1706

(GD Al Si 12/DIN 1725).

1° mold slope for casting ejection > internal circumference dimensions decrease by 1° towards enclosure bottom

Fastening

Optional: Holding clip (e.g. for strap)

Optional: Wall bracket for clip fastening

Optional: Carrying strap with protector

Internal mounting

M3 fastening thread on the enclosure base and in the lid

Ingress protection

IP 66 / EN 60529

Optional: IP 67 / EN

Free-fall DIN EN 60068-2-32

Gasket

TPE molded gasket, silicone-free

Lid screws

Stainless steel 1.4567, captive

Surface

Powder coating

Lid: Silver

Bottom: RAL 9005, deep black

Optional: Special colors

Customizing

Learn more about our [full customizing service for installation-ready enclosures](#)

Full-Service-Products

Customization according to your wishes.



Our passion is enclosures.



Expert advice

Everything begins with individual advice. We'll be pleased to support you with your project and find solutions for every requirement. Customer-specific solutions are our speciality.



Sample service

Test our products with your internal mounting. We'll be pleased to send you a sample enclosure for inspection with no strings attached.



Drilling

We'll manufacture every enclosure for you according to your exact specifications – whether they involve precise drilling or large tolerance.



Milling

Thanks to our modern CNC production, we can quickly and efficiently mill custom-fit cut-outs and contours to match your exact specifications.



Engraving

Our services also include engraving your logo and other elements, which we can of course perform in any colour you desire.



Lasering

We can process stainless steel enclosures and plates quickly and reliably according to your individual requirements thanks to our in-house lasering centre.



Powder coating

We can powder coat enclosures, command enclosures and suspension systems in any RAL colour you desire. Custom colours are of course also possible.



Painting

We can also paint all our enclosures in any RAL colour you desire. The application of primer and special colour structures are possible, as well.



Serigraphy

If desired, we can apply your logo and lettering or other markings using serigraph printing.



Digital printing

Digital printing is particularly worthwhile for low-volume orders and for realising complex patterns or images.



EMC enclosures

We offer our conFORM low-price standard EMC enclosure to protect your internal mounting against electromagnetic radiation. On request, we can also supply an EMC-compliant version of any other ROLEC enclosure.



Displays

We are able to offer the right made-to-measure display for all our enclosures – in varying sizes and degrees of robustness depending on the application.



Accessories

ROLEC's portfolio also includes matching front plates, mounting plate, supporting rails and terminal blocks as well as a range of cable glands, blanking plugs etc.



Assembly

Would you like to have all your components supplied already assembled? No problem. Our assembly team will be pleased to perform all assembly work on your behalf.



Our Service

If you have any requirements for services not listed here, please ask us. Customer-specific solutions are our speciality. We also are keen to take on unusual tasks.

We will help you with those challenges that many others would give up on.