



Our *passion* is enclosures.



multiVISION

Variable display and command enclosures made of aluminium profiles

Technical data

multiVISION Kommando



multiVISION Kommando



Handle system RAL 3020,
traffic red



Handle system RAL 9005,
deep black



K1 back panel
with lock and hinge



Combo K3 lock and hinge
(side W)



Optional suspension systems
taraPLUS or QUADRO

Enclosure: Aluminium profile, (Al Mg Si 0.5) corner pieces (Al Si 12)

Door: Aluminium profile, (Al Mg Si 0.5) corner pieces (Al Si 12)

Mounting option: Slide-in contour for spring nuts M4/M5

Front plate: Aluminium 3mm, Al Mg 1, silver anodised

Ingress protection: IP65 / EN 60529

Enclosure gasket: Chloroprene (CR) profile gasket (-30°C to +90°C)

Front plate gasket: Chloroprene (CR) gasket (-30°C to +90°C)

Closure: Lock and hinge, narrow side (side W)

Door surface: Powder coating, RAL 7040, window grey

Enclosure surface: Powder coating, RAL 7040, window grey

Optionally available:

Fastening: Support system taraPLUS or Quadro 50-60-80

External Mounting: GD-Zn Al 4 Cu 1 / DIN EN 12844

Handle system: Steel tube, powder coated
RAL 3020, traffic red
RAL 9005, deep black

Closure: Lock and hinge, long side (side L)

Surface: Special colours

Further options, see delivery overview.



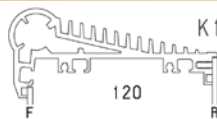
Delivery overview multiVISION Kommando									
Type	Profile	M	I	DV	W	X	Y	Z	RS
MVK 01	K1	●	●	□	●	●	●	●	●
MVK 02	K2	●	●	□	●	●	●	●	○
MVK 03	K3	●	●	□	●	●	●	●	○
MVK 04	K4	●	●	□	●	●	●	●	○

□ Standard ● Available ○ Not available

MVK W x H* x K**
ORDER EXAMPLE MVK 450* x 350* x K3**+M+I

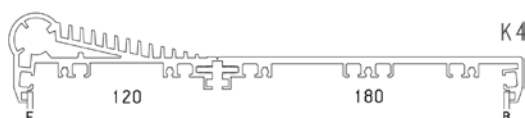
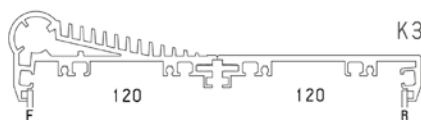
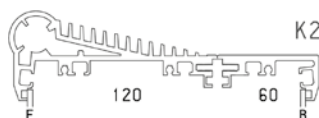
*Dimensions in mm - option 200 - 800 mm **Combination of profiles

Approvals:



Profile combinations

F = Front plate
R = Rear wall



Technical data

multiVISION Display



multiVISION display,
single-part profile D2



Handle system
RAL 3020, traffic red



Handle system
RAL 9005, deep black



D2 back panel with
lock and hinge



Combo D4 lock and hinge
(side W)



Optional suspension systems
taraPLUS or QUADRO

Enclosure: Aluminium profile, (Al Mg Si 0.5) corner pieces (Al Si 12)

Door: Aluminium profile, (Al Mg Si 0.5) corner pieces (Al Si 12)

Mounting option: Slide-in contour for spring nuts M4/M5

Front plate: Aluminium 3mm, Al Mg 1, silver anodised

Ingress protection: IP65 / EN 60529

Enclosure gasket: Chloroprene (CR) profile gasket (-30°C to +90°C)

Front plate gasket: Chloroprene (CR) gasket (-30°C to +90°C)

Closure: Lock and hinge, narrow side (side W)

Door surface: Powder coating, RAL 7040, window grey

Enclosure surface: Powder coating, RAL 7040, window grey

Optionally available:

Fastening: Support system taraPLUS or Quadro 50-60-80

External Mounting: GD-Zn Al 4 Cu 1 / DIN EN 12844

Handle system: Steel tube, powder coated
RAL 3020, traffic red
RAL 9005, deep black

Closure: Lock and hinge, long side (side L)

Surface: Special colours

Further options, see delivery overview.

Delivery overview multiVISION Display										
Type	Profile	Dimensions in mm	M	I	DV	W	X	Y	Z	RS
MVD 01	D1	60	●	●	□	●	●	●	●	●
MVD 02	D2	120	●	●	□	●	●	●	●	●
MVD 03	D3	60/60	●	●	□	●	●	●	●	○
MVD 04	D4	60/120	●	●	□	●	●	●	●	○
MVD 05	D5	120/120	●	●	□	●	●	●	●	○
MVD 06	D6	180	●	●	□	●	●	●	●	●
MVD 07	D7	60/180	●	●	□	●	●	●	●	○
MVD 08	D8	120/180	●	●	□	●	●	●	●	○
MVD 09	D9	180/180	●	●	□	●	●	●	●	○

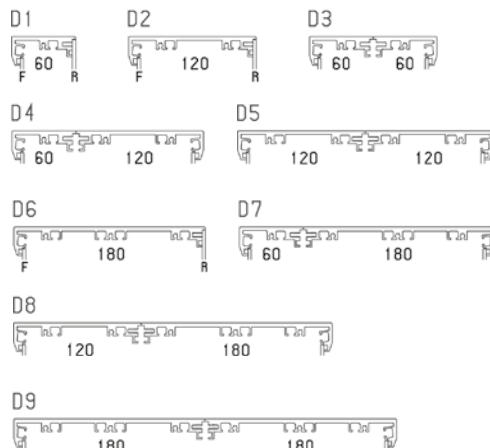
□ Standard ● Available ○ Not available

MVD W x H* x D**
ORDER EXAMPLE MVD 550 x 450* x D3** + M + I

*Dimensions in mm - option 200 - 800 mm **Combination of profiles

Profile combinations

F = Front plate
 R = Rear wall



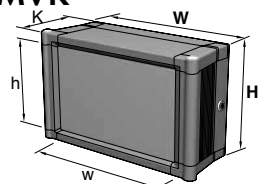
Approvals:



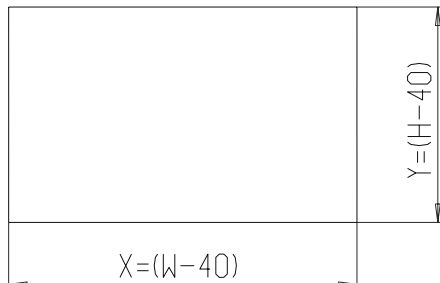
ROLEC Attachment and mounting dimensions

multiVISION Kommando + Display

MVK

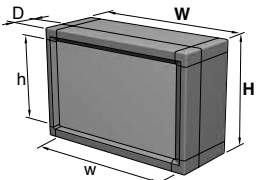


Front plate

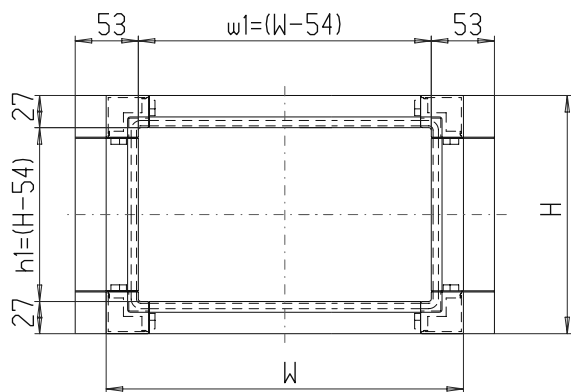


- W = Nominal dimension (external dimension, width)
- H = Nominal dimension (external dimension, height)
- w = Free assembly dimension width (W-54)
- h = Free assembly dimension height (H-54)
- L = Front width (only MVK) (W+52)
- X = Front plate width (W-40)
- Y = Front plate height (H-40)
- Hinges: Side H

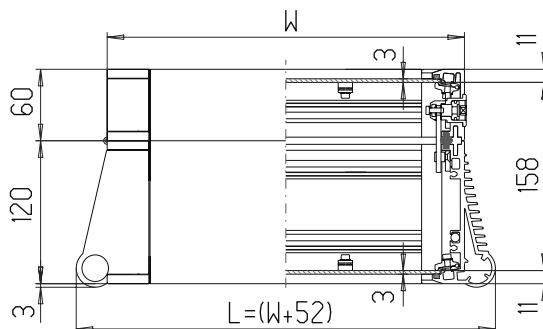
MVD



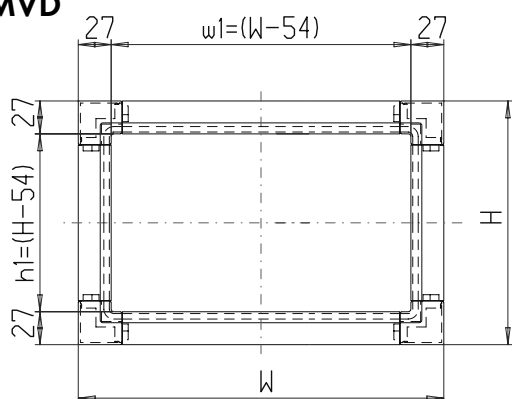
MVK



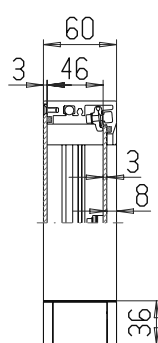
K2



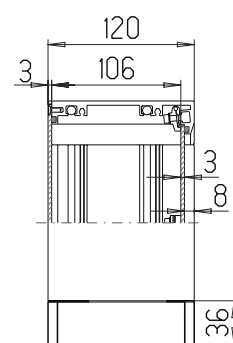
MVD



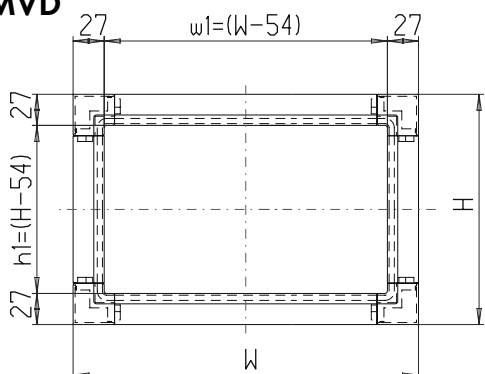
D1



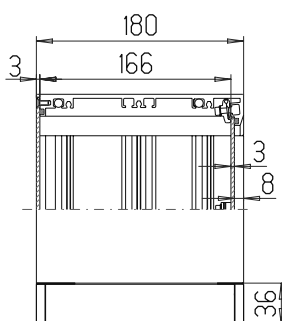
D2



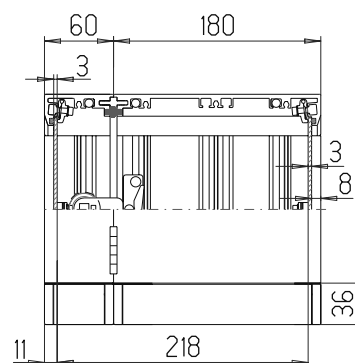
MVD



D6

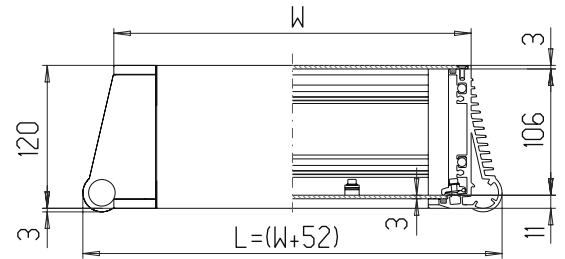
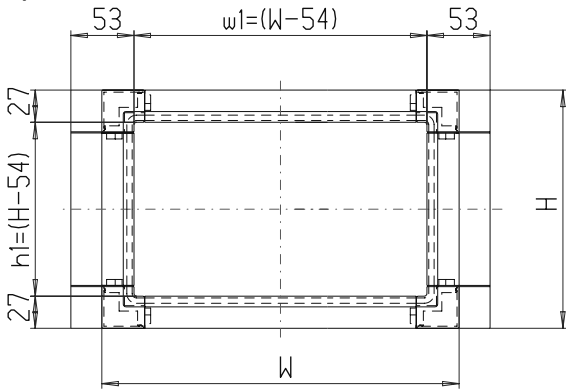


D7



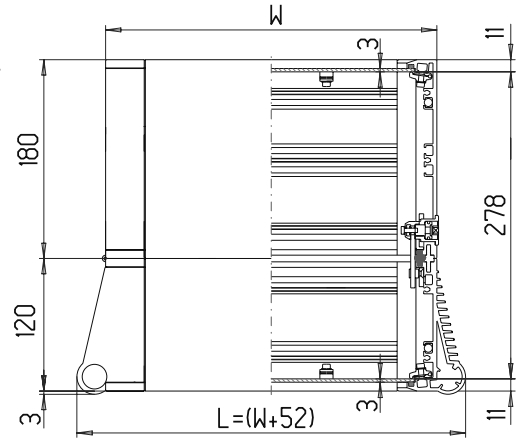
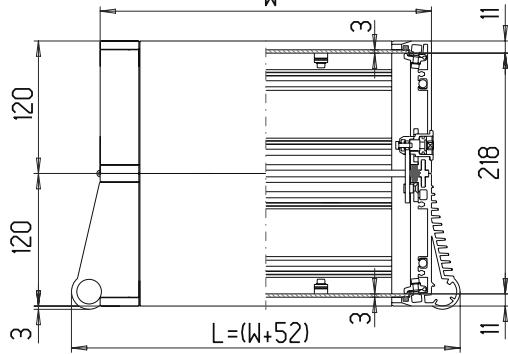
MVK

K1



K3

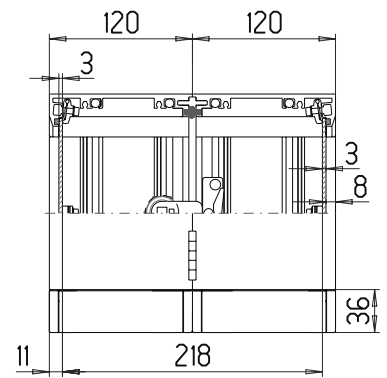
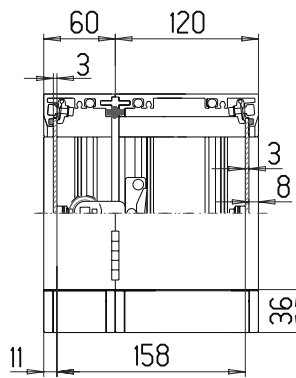
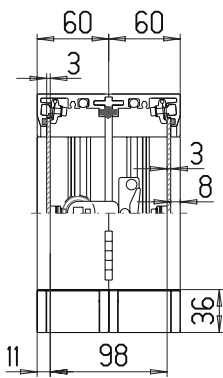
K4



D3

D4

D5



D8

D9

