

285.120.000
technoDISC TD 120



technical data

| | |
|------------------------|--------------------------------|
| Material | ASA LURAN |
| Protection class | IP 66/EN 60529, IP 67/EN 60529 |
| Colour | Light gray RAL 7035 |
| Certifications | GOST |
| Length | 5.906" 150 mm |
| Width | 5.472" 139 mm |
| Height | 3.150" 80 mm |
| Weight (g) | 395 g |
| Country of manufacture | Germany |
| Customs tariff number | 39269097 |

technoDISC

AN ABSOLUTE ALL-ROUNDER IN EVERY RESPECT

IP 66 - Optional: IP 67 technoDISC is a unique range of high performance plastic enclosures for industrial electronics. It is especially ideal for Industry 4.0 and IIOT applications. The enclosures have a modern and highly attractive individual appearance with no visible fixing screws. Dark grey snap-on lid trims hide all of the assembly and mounting screws — providing tamper protection. The lid is recessed for locating a membrane keypad, front plate or product label. technoDISC is available in four standard sizes with plenty of space inside for PCBs and electronic components. The enclosure can be mounted without opening the lid using the separate mounting channels (protecting the electronics inside). Screw pillars are molded in the lid and base sections for fitting PCBs, mounting plates and electronic assemblies. Accessory lid retaining straps, internal mounting plates and cable glands are available.

Enclosure sizes

4 Sizes

Dimensions L x W x H

4.33" x 3.81" x 2.16" to 7.48" x 7.04" x 3.54"

Further information

Integrated recesses for membrane keypads or front plates

Functional and extensive range of accessories

Enclosure

ASA+PC, similar to RAL 7035 light gray

Special material on request

2° mold slope for casting ejection, internal circumference dimensions decrease by 2° towards the enclosure base

Snap-on design covers, plastic polyoxymethylene (POM), RAL 7016 anthracite gray

Flammability

UL 94 V-0

Fastening

Separate screw channels outside of the enclosure interior, enclosure to be fastened while the lid is closed

Internal mountings

Fastening option for self-tapping screws on the base of the enclosure and in the lid

Ingress protection

IP 66 / EN 60529

Optional: IP 67 / EN 60529

Gasket

Silicone moulded gasket, temperature resistance: -50°C to +140°C

Optional: EMC gasket, temperature resistance: -55°C to +160°C

Lid screws

Stainless steel 1.4567, captive

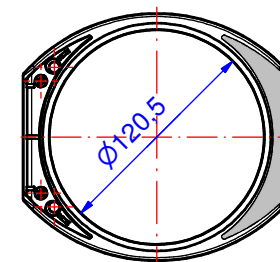
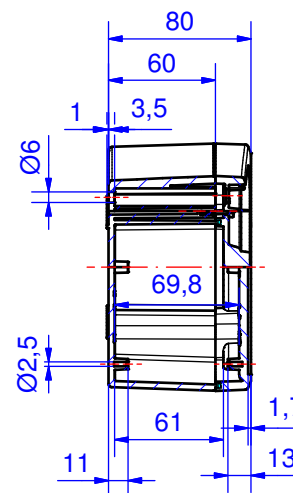
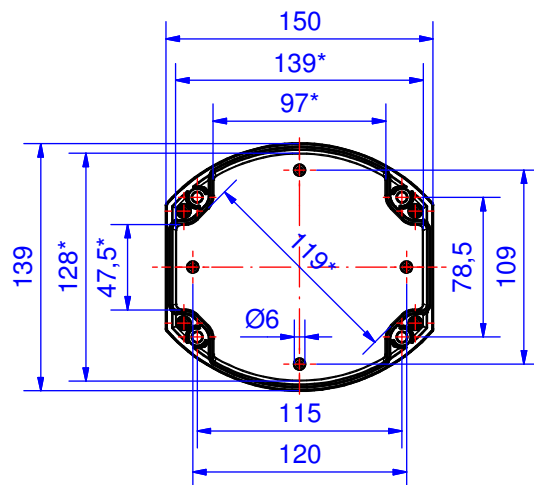
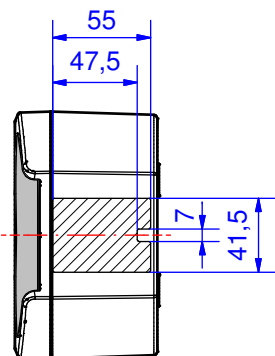
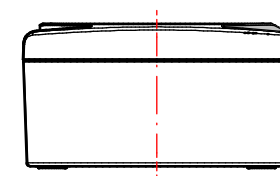
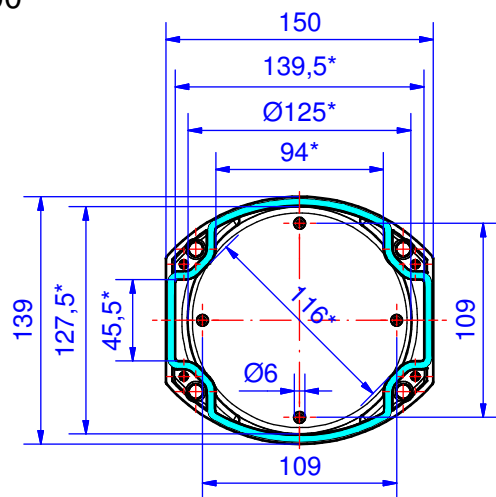
ROLEC Service

Utilize our full service offer for installation-ready enclosures

Enclosure series technoDISC

Type: TD 120

Material-No.: 285.120.000



Folie/ Keypad
Ø120,3⁺⁰_{-0,2}

* Please note: Mould slope for casting ejection, dimensions in the amount of the bottom!

| | | | | |
|--------------------|--|--|--------------------|---|
| Enclosure material | ASA Luran S, RAL 7035, light grey | | Gasket | 1x moulded gasket, silicone, transparent |
| Lid screws | 4x 1.4567 (V2A), captive | | Ingress protection | IP66 EN 60529 |
| Assembly screws | 4x KBL Ø3x8,5, galvanized steel | | Weight | 395 g |
| Design covers | 2x Polyoxymethylene (POM), RAL 7016, anthracite grey | | Tolerance | DIN ISO 16901-130 (outside dimensions ±0,5mm) |