

141.020.001
Elbow Ø48



technical data

Material	Diecast aluminum
Protection class	IP 54/EN 60529
Colour	RAL 7035 RAL 7035, RAL 7016 RAL 7016
Weight (g)	1400 g
Country of manufacture	Germany
Customs tariff number	76169910

taraSMART

THE MODERN SUSPENSION ARM SYSTEM FOR LIGHT TO MEDIUM LOADS

IP 54

The key product features:

- Profile cross-sections: round Ø 48 and 70 mm rectangular 40x60 mm
- System parts material: Die-cast aluminium, powder coating, RAL 7040
- Suspension profile material: drawn steel, powder coating, RAL 7035
- Various connections available
- Support profiles: a combination of round and/or rectangular tubes
- Intermediate joint, articulated
- Various couplings available
- Simple and quick adjustment with set screws
- Can be used with all ROLEC control enclosures
- Possible to route connectors such as HDMI, patch cable, USB, etc. (not for DVI connectors)
- Ingress protection IP 54
- Gasket: Chloroprene (CR)

taraSMART is a sophisticated suspension arm system for modern machine construction. The perfect symbiosis of technical design and sophistication. It offers sufficient space for routing HDMI or DVI cables, or network plugs. Installation is quick and easy, thanks to the familiar, tried and tested technology. The coupling variants of the system enable the connection of both narrow and deep control enclosures. Thanks to the Ø48 bracket, the straightforward connection of panel PCs with a round tube frame can take place without additional adapters.

To configure this product, please contact us without obligation. We are happy to help.

Load-bearing capacity

embed_LBC_diagram_start_#etc/traglast/taraSMART-load_capacity-EN.jpg#embed_LBC_diagram_end

Principle

Economic, compact and elegant designer suspension arm system for light to medium loads

Additional information

Connection of HMI/control enclosures from leading manufacturers with a round tube frame (such as Siemens, Beckhoff, B&R) possible

The generous cable routing offers an optimum connection with all interfaces, sufficient space is available for a range of cables and connectors

Horizontal alignment of the complete system assembly possible at all joints!

Material/coating

Die-cast aluminium alloy, powder coated RAL 7035 light grey

Optional: Special colours

Support profiles: Extruded aluminium profile, silver anodised

Ø48 round tubes: steel, silver coated

Covers: Thermoplast, RAL 7016, anthracite grey

Gasket

Chloroprene O-ring gasket (CR)

Cable routing

Suitable for HDMI, patch cables, DVI, USB, cold-device plugs, etc.

Ingress protection

IP 54 / EN 60529

ROLEC service

Avail of our Full Service Offer for installation-ready products

Configuration

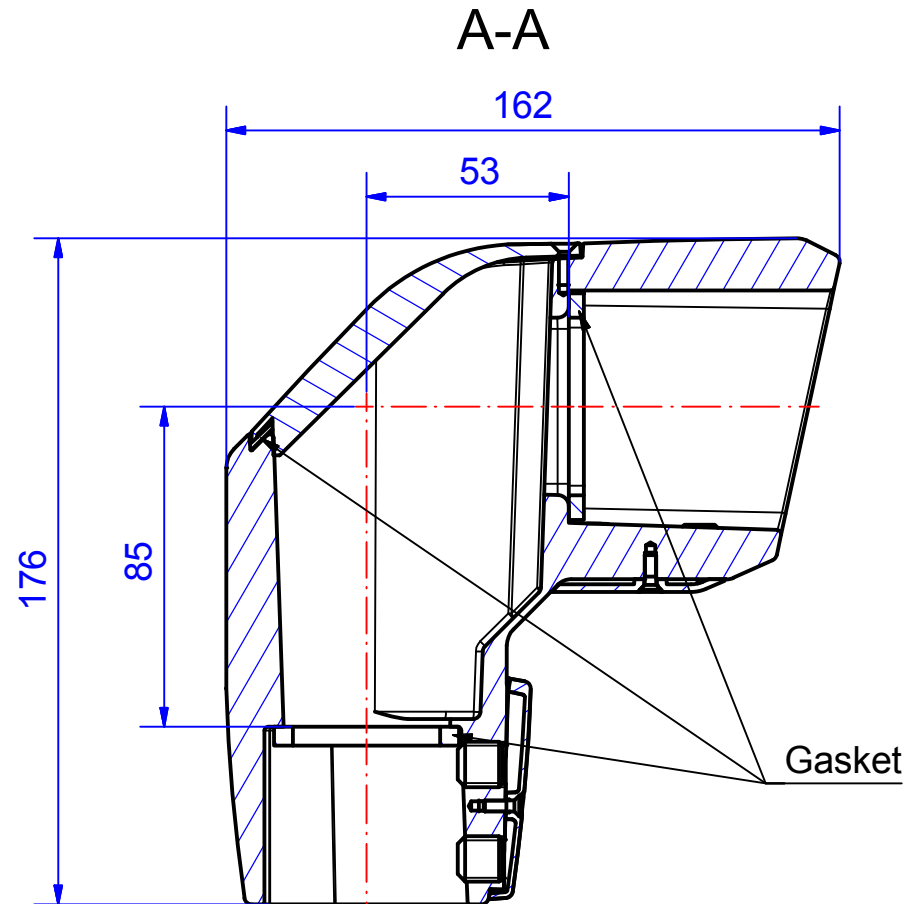
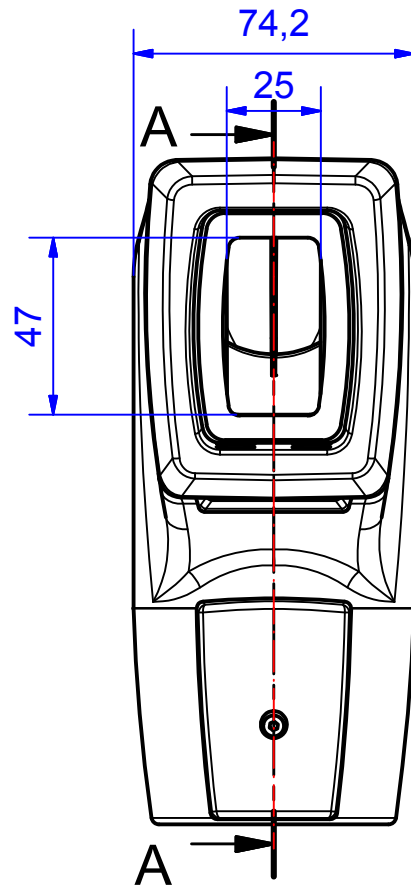
If you have any questions or require individual configuration, your field service contact will be happy to assist

Suspension-System taraSMART



Type: Elbow Ø48

Material-No.: 141.020.001



Suspension system material	Die-cast aluminium		Covers	Thermoplastic / RAL 7016
Gasket	Chloroprene (CR), black		Weight	approx. 1.700 g
Mounting screws	6x M12, galvanized steel		Surface	Powder coating RAL 7035, light grey
Ingress protection	IP54 EN 60529		Tolerance	Outside dimensions ±0,8mm; others DIN EN ISO 8062-3 DCTG 5