

191.170.000
aluCASE AC 170



technical data

Material	Aluminum
Protection class	IP 67/EN 60529, IP 69K
Colour	Windows gray RAL 7040
Certifications	CSA (optional), GOST, Germanischer Lloyd (optional), UL (optional)
Length	7.874" 200 mm
Width	6.693" 170 mm
Height	3.543" 90 mm
Weight (g)	1430 g
Country of manufacture	Germany
Customs tariff number	76169910

aluCASE

OUR PREMIUM ENCLOSURE RANGE IN DIECAST ALUMINUM

IP 66, IP 67 - Optional: IP 69K

aluCASE is a highly attractive and very versatile range of diecast aluminum enclosures for industrial electronics. The design is perfect for mounting to a wall or a machine, or for use as a mobile instrument. The enclosures are sealed to IP 67 for indoor and outdoor applications. Hot jet wash IP 69K is also available. The enclosures can be mounted without opening the lid which means your electronics remain protected at all times. Whatever the application, aluCASE provides the very best housing solution for your components.

Designer features include a recessed lid, for fitting a membrane keypad, front plate or product label, clip-on design covers in plastic or aluminum that hide the lid screws and mounting holes, integrated hinges and lid retaining straps (on most models). Two versions are available with transparent lids. Threaded screw bosses are provided in the base and lid for PCBs, mounting plates, DIN rails etc. An optional key lock provides security access. Cable glands and other accessories are also available.

We can supply aluCASE enclosures fully customized to your requirements.

Enclosure sizes
29 sizes

Dimensions from: L x W x H

2,95" x 1,97" x 1,30" to 16,93" x 11,81" x 4.72"

Additional info

Can be fastened while enclosure is closed
Integrated recess in the lid for a membrane keypad, front plate or label

Integrated PP (polypropylene) lid support strap

2 sizes available with transparent lids

Clip-on design covers, standard: Plastic POM (polyoxymethylene), similar to RAL 7040 window gray

Optional: Anodized aluminum design covers

Optional: Exterior hinges made from anodized aluminum with no visible outer screws

Optional: Access safeguard by means of key lock

Enclosure
Diecast aluminum alloy

EN AN-44300 DIN EN 1706

(GD Al Si 12/DIN 1725)

1° mold slope for casting ejection > internal circumference dimensions decrease by 1° towards enclosure bottom.

Fastening

Separate screw channels

Internal mounting

M5 fastening thread on the enclosure base and in the lid

Ingress protection

IP 66, IP 67 / EN 60529

Optional: IP 69K / DIN 40050

Gasket

TPE molded gasket, silicone-free, temperature resistance: -40°C to +120°C

Optional: Silicone gasket, temperature resistance: -50°C to +140°C

Lid screws

Stainless steel 1.4567, captive

Surface

Powder coating RAL 7040, window gray

Optional: Special colors

Optional: Corrosion protection

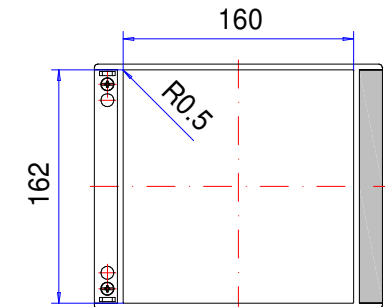
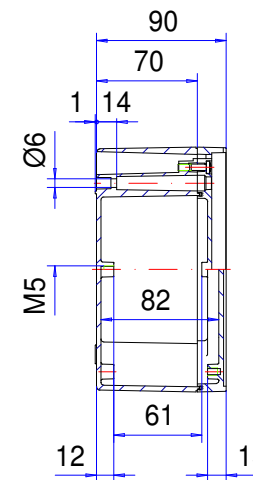
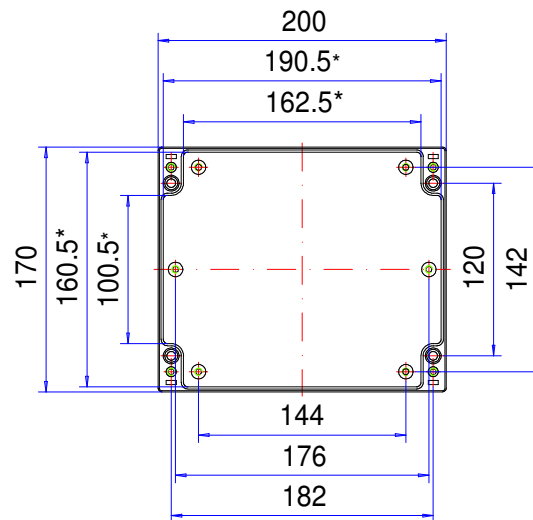
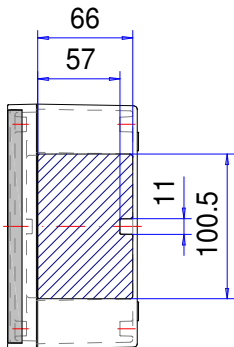
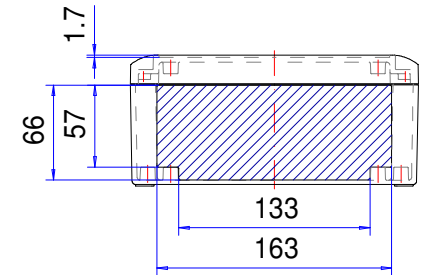
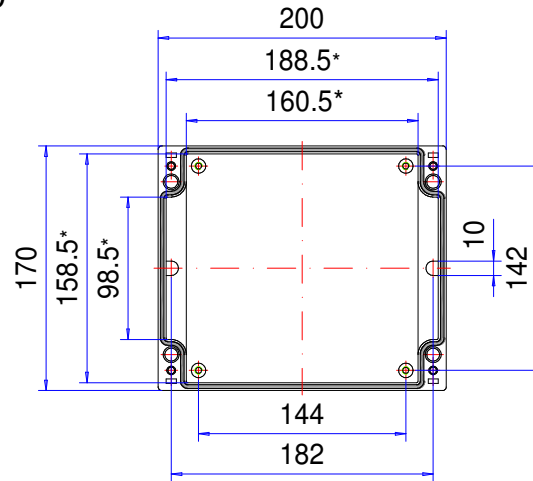
Customizing

Learn more about our full customizing service for installation-ready enclosures

Enclosure series aluCASE


Type: AC 170

Material-No.: 191.170.000



Folie/ Keypad
161.4⁺⁰_{-0.2} x 159.4⁺⁰_{-0.2}

* Please note: Mould slope for casting ejection, dimensions in the amount of the bottom!

Enclosure material	GD-Al Si 12 (DIN 1725)		Gasket	1x TPE moulded gasket, silicone-free, black
Lid screws	4x stainless steel 1.4567 (V2A), captive		Ingress protection	IP67 EN 60529
Assembly screws	5x M5x8, galvanized steel		Weight	1.430 g
Design covers	2x Polyoxymethylene (POM), RAL 7040, window grey		Coating	Powder coating RAL 7040, window grey
Lid supports	2x Polypropylene (PP), window grey		Tolerance	GTA 13/5 DIN 1688-4 (outside dimensions ±0,5mm)