

240.132.000
aluCLIC ACL 132



technical data

Material	Aluminum
Protection class	IP 66/EN 60529, IP 67/EN 60529, IP 69K
Colour	Light gray RAL 7035
Certifications	GOST
Length	7.874" 200 mm
Width	5.118" 130 mm
Height	2.756" 70 mm
Weight (g)	1070 g
Country of manufacture	Germany
Customs tariff number	76169910

aluCLIC

ALUMINUM ENCLOSURES WITH QUICK-CHANGE MOUNTING DEVICE

IP 66, IP 67 - Optional: IP 69K

aluCLIC is a very attractive and unique range of aluminum enclosures which is designed for quick installation and rapid exchange of electronics equipment. A snap lock located under the enclosure can be easily disengaged and the enclosure changed in an instant. These enclosures really are practical, fast and neat to install.

Standard features include a full sized recessed area in the lid to accommodate a membrane keypad, front plate or product label, hidden assembly screws on the underside and threaded screw bosses in the base and lid for PCBs, mounting plates, DIN rails etc.. The enclosure snap-on device can be easily fastened to a wall, ceiling or a machine housing.

We can supply aluCLIC enclosures fully customized to your requirements.

Enclosure sizes
3 sizes

Dimensions from: L x W x H

5,11" x 3,54" x 2,75" to 7,87" x 5,11 x 2,75"

Additional info
Snap-on instead of mounted by screws

Change the enclosure in seconds

More space for the electronics

Enclosure front fully usable

Lid screwed on rear side

Integrated recess in the lid for a membrane keypad, front plate or product label

Enclosure
Diecast aluminum alloy

EN AN-44300 DIN EN 1706

(GD Al Si 12/DIN 1725)

1° mold slope for casting ejection > internal circumference dimensions decrease by 1° towards enclosure bottom.

Fastening
Snap-on device, plastic (POM), RAL 9005 deep black

Internal mounting
M5 fastening thread on the enclosure base and in the lid

Ingress protection

IP 66, IP 67 / EN 60529

Optional: IP 69K / DIN 40050

Gasket

TPE molded gasket, silicone-free, temperature resistance: -40°C to +120°C

Optional: Silicone gasket, temperature resistance: -50°C to +140°C

Lid screws

Stainless steel 1.4567, captive

Surface

Powder coating RAL 7035, light gray

Optional: Special colors

Optional: Corrosion protection

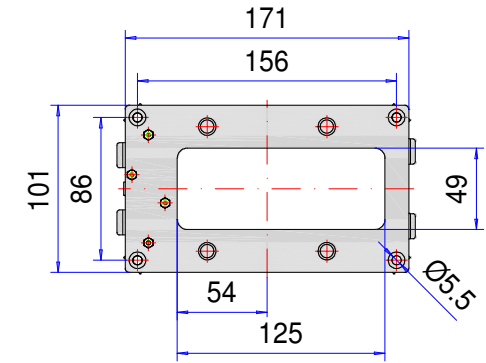
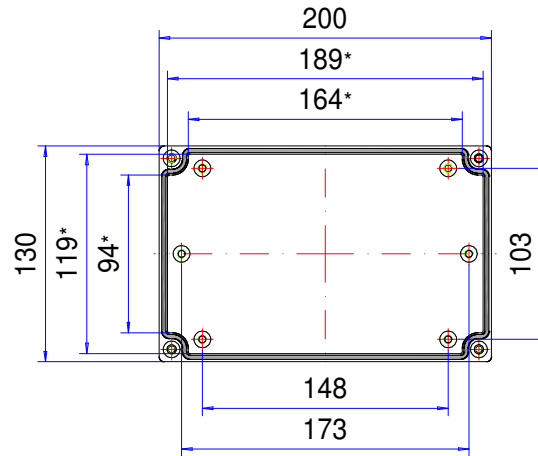
Customizing

Learn more about our full customizing service for installation-ready enclosures

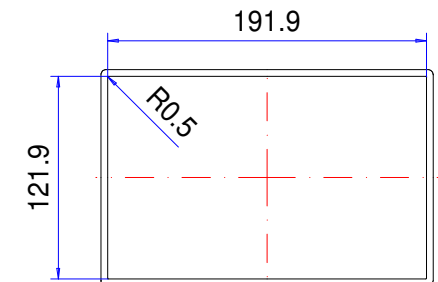
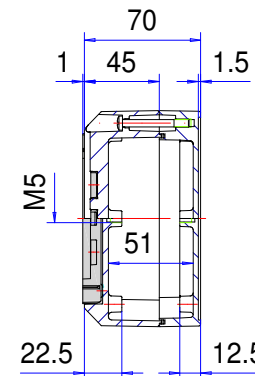
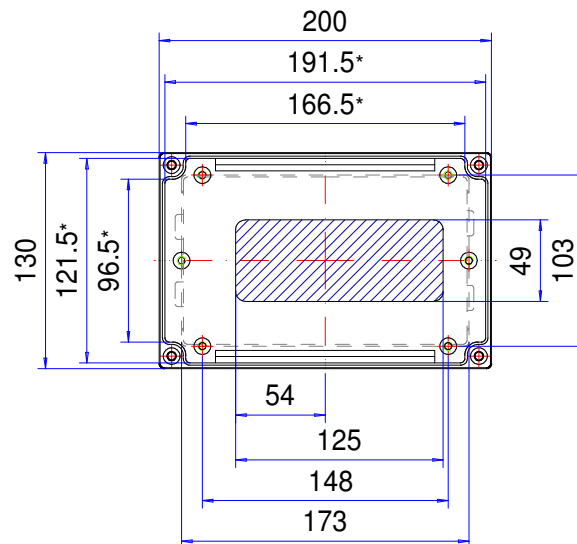
Enclosure series aluCLIC

Type: ACL 132

Material-No.: 240.132.000

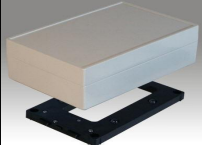


Snap-on device



Folie/ Keypad
121.3⁺⁰_{-0.2} x 191.3⁺⁰_{-0.2}

* Please note: Mould slope for casting ejection, dimensions in the amount of the bottom!

Enclosure material	GD-AI Si 12 (DIN 1725)		Vibration	DIN EN 60068-2-6, inspection Fc, acceleration 4gn
Lid screws	4x stainless steel 1.4567 (V2A), captive		Weight	1.070 g
Gasket	1x TPE moulded gasket, silicone-free, black		Assembly screws	5x M5x8, galvanized steel
Snap-on device	1x Polyoxymethylen (POM), RAL 9005, deep black		Coating	Powder coating RAL 7035, light grey
Ingress protection	IP67 EN 60529		Tolerance	GTA 13/5 DIN 1688-4 (outside dimensions ±0,5mm)