

**196.100.000**  
**aluPLUS AP 100**



**technical data**

Material	Aluminum
Protection class	IP 66/EN 60529, IP 67/EN 60529
Colour	Light gray RAL 7035
Certifications	GOST, UL (optional)
Length	3.937"   100 mm
Width	3.937"   100 mm
Height	3.228"   82 mm
Weight (g)	575 g
Country of manufacture	Germany
Customs tariff number	76169910

## aluPLUS

### THE PLUS SIDE OF OUR DIECAST ALUMINUM ENCLOSURES

#### IP 66, Optional: IP 67

aluPLUS is a versatile and highly attractive range of diecast aluminum enclosures designed for modern industrial electronics. The range is available in eight industry standard sizes and rated to IP 66 and IP 67. The enclosures can be mounted on a wall or machine, or used as portable instruments.

Design features include a recessed lid, for fitting a membrane keypad or product label, clip-on plastic design covers which hide the lid fixing and mounting screws, and lid retaining straps which keep the lid in place when open. The enclosures can be mounted without opening the lid which means your electronics remain protected at all times. Threaded screw bosses are provided in the base and lid for fitting PCBs, mounting plates, terminal rails etc. An extensive range of accessories and matching cable glands is also available.

We can supply aluPLUS enclosures fully customized to your requirements.

#### Enclosure sizes

8 sizes

Dimensions from: L x W x H

4,92" x 3,30" x 2,32" to 10,23" x 6,29" x 3,54"

#### Additional info

Fastening with closed enclosures

Integrated recess in the lid for membrane keypad or front plates

Optional: Lid supports with integrated stainless steel (V2A) lid screw and plastic (PA6) lid retaining strap.

Clip-on design covers, plastic PBT (polybutylene terephthalate), similar to RAL 7016 anthracite gray

#### Enclosure

Diecast aluminum alloy

EN AN-44300 DIN EN 1706

(GD Al Si 12/DIN 1725)

1° mold slope for casting ejection > internal circumference dimensions decrease by 1° towards enclosure bottom.

#### Fastening

Separate screw channels

#### Internal mounting

M5 fastening thread on the enclosure base and in the lid

#### Ingress protection

IP 66 / EN 60529

Optional: IP 67 / EN 60529

Gasket

Silicone molded gasket, temperature resistance: -50°C to +140°C

Optional: Chloroprene O-ring gasket (CR), temperature resistance: -30°C to +90°C

Lid screws

Stainless steel 1.4567, captive

Surface

Powder coating RAL 7035, light gray

Optional: Special colors

Optional: Corrosion protection

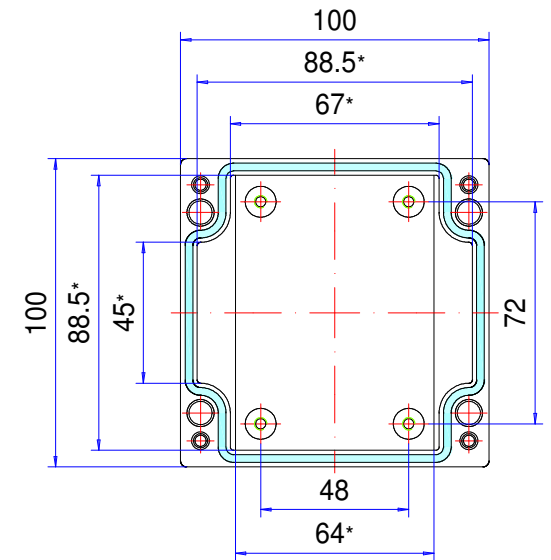
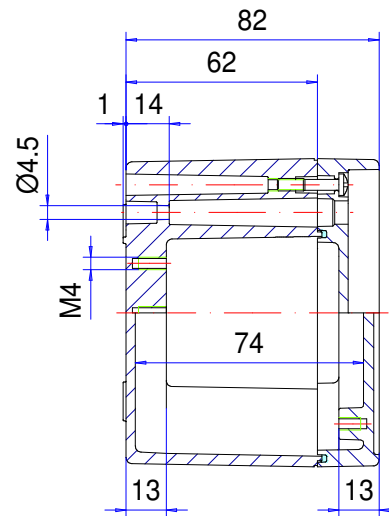
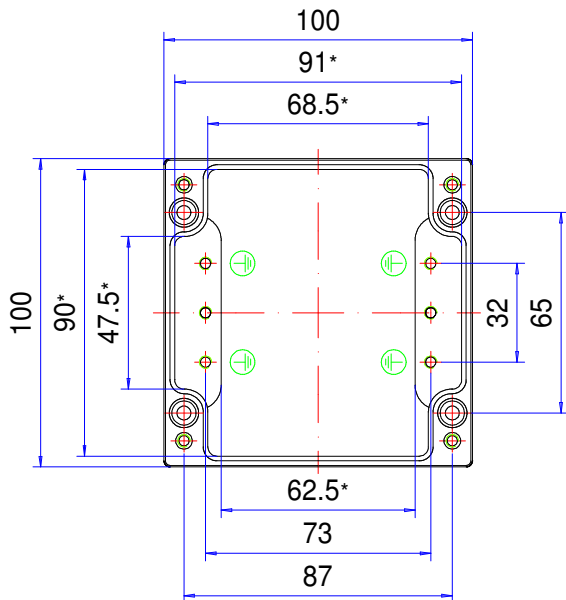
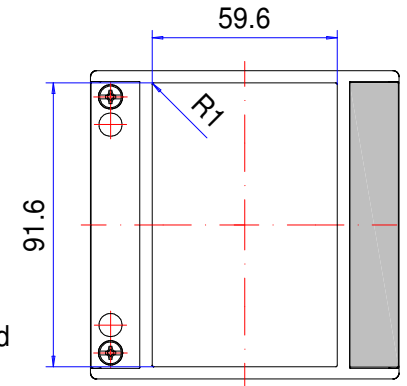
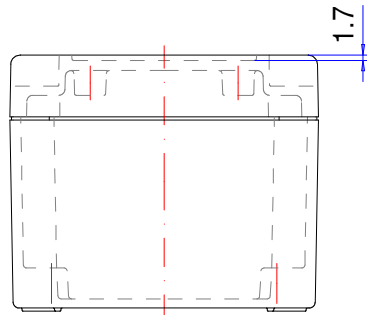
Customizing

Learn more about our full customizing service for installation-ready enclosures


# Enclosure series aluPLUS

Type: AP 100

Material-No.: 196.100.000



\* Please note: Mould slope for casting ejection, dimensions in the amount of the bottom!

Enclosure material	GD-Al Si 12 (DIN 1725)		Ingress protection	IP66 EN 60529
Lid screws	4x stainless steel 1.4567 (V2A), captive		Weight	575 g
Assembly screws	5x M4x8, galvanized steel		Coating	Powder coating RAL 7035, light grey
Design covers	2x Polybutylene Ter. (PBT), RAL 7016, anthracite grey		Tolerance	GTA 13/5 DIN 1688-4 (outside dimensions ±0,5mm)
Gasket	1x moulded gasket, silicone, transparent			