

**111.162.000**  
**conFORM EKF 162**



**technical data**

Material	Aluminum
Protection class	IP 66/EN 60529, IP 67/EN 60529
Colour	RAL 7032 RAL 7032
Certifications	CSA (optional), Germanischer Lloyd (optional)
Length	10.551"   268 mm
Width	6.614"   168 mm
Height	2.362"   60 mm
Weight (g)	1880 g
Country of manufacture	Germany
Customs tariff number	76169910

## conFORM

### VERSATILE DIECAST ALUMINUM ENCLOSURES WITH IN-BUILT RFI/EMI SHIELDING

**IP 66, Optional: IP 67**

#### The key product features:

- Enclosure material: Die-cast aluminium
- Enclosure surface: powder coating, RAL 7032
- High inner collar
- Tooth system in the bottom section for continuous contact
- Exterior hinge
- Sizes compatible with standard enclosures available on the market, therefore easy to exchange
- Lid screws in stainless steel 1.4567
- Ingress protection IP 66
- Enclosure seal: TPE moulded gasket

---

conFORM is a highly versatile and economic range of RFI/EMI shielded aluminum enclosures with in-built shielding. The design does not require expensive and delicate conductive gaskets – continuous contact is created by means of a patented tooth system which is pre-cast into the lid and base.

The conFORM range is ideal for industrial electronics and controls that require special levels of shielding. The enclosures are water-tight and weather resistant to IP 66. Threaded screw bosses are provided inside for fitting circuit boards, mounting plates, terminal rails etc. Accessories such as mounting plates and cable glands are also available.

We can supply conFORM enclosures fully customized to your requirements.

Enclosure sizes

14

Additional info

High shielding from radiation interference (RFI/EMI tested by the University of Hanover)

Inexpensive, as there is no need for expensive conductive gaskets

Large range of accessories

Enclosure

Diecast aluminum alloy:

EN AN-44300 DIN EN 1706

(GD Al Si 12/DIN 1725)

1° mold slope for casting ejection > internal circumference dimensions decrease by 1° towards enclosure bottom.

Fastening

Separate screw channels outside of the enclosure interior

Console panel integration with installation kit

Internal mounting

M4/M6 fastening thread on the enclosure base and attachment options in the lid

Ingress protection

IP 66 / EN 60529

Optional: IP 67 / EN 60529

Gasket

TPE molded gasket, silicone-free

Optional: Silicone gasket

Lid screws

Stainless steel 1.4567, captive

Surface

Powder coating RAL 7032, pebble gray

Optional: Special colors

Optional: Corrosion protection

Customizing

Learn more about our full customizing service for installation-ready enclosures

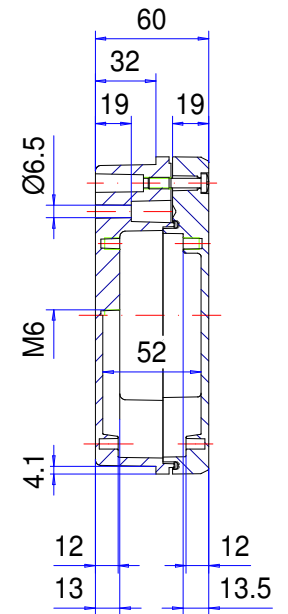
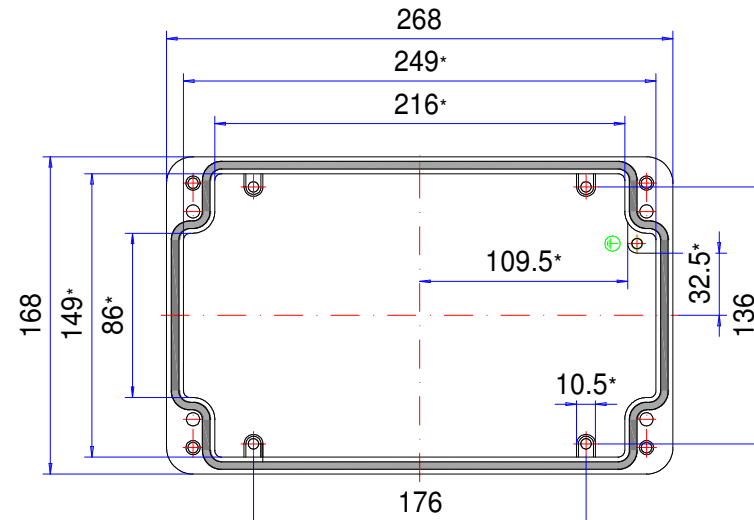
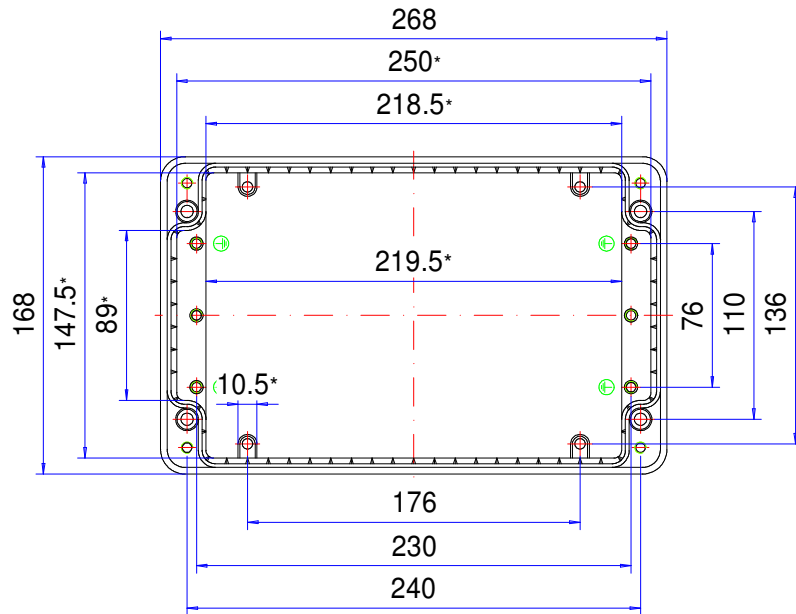
Documents/downloads

Here you'll find all of the technical information and certificates relating to conFORM


# Enclosure series conFORM

Type: EKF 162

Material-No.: 111.162.000



\* Please note: Mould slope for casting ejection, dimensions in the amount of the bottom!

Enclosure material	GD-AI Si 12 (DIN 1725)		Weight	1.880 g
Lid screws	4x stainless steel 1.4567 (V2A), captive		Earthing screws	5x M6x8, galvanized steel
Gasket	1x TPE moulded gasket, silicone-free, black		Coating	Powder coating RAL 7032, pebble grey
Ingress protection	IP66 EN 60529		Tolerance	GTA 13/5 DIN 1688-4 (outside dimensions $\pm 0,5\text{mm}$ )