

272.081.000
handCASE HCF 081 R



technical data

| | |
|------------------------|--------------------------------|
| Material | Aluminum |
| Protection class | IP 66/EN 60529, IP 67/EN 60529 |
| Colour | Light gray RAL 7035 |
| Certifications | GOST |
| Length | 7.087" 180 mm |
| Width | 3.150" 80 mm |
| Height | 1.669" 42.4 mm |
| Weight (g) | 430 g |
| Country of manufacture | Germany |
| Customs tariff number | 76169910 |

handCASE

MODERN AND HIGHLY ROBUST HANDHELD ENCLOSURES IN DIECAST ALUMINUM

IP 66, Optional: IP 67

handCASE is a stylish and highly robust range of handheld enclosures in diecast aluminum. Thanks to their ergonomic design these enclosures sit very comfortably in the hand. The high strength of handCASE provides solid protection for internal electronics and components under the most extreme conditions.

The enclosures are tested to IP 66 protection class and are available with or without battery compartments for 1.5V AA and 9V cells. Threaded screw bosses are provided inside for fitting circuit boards, mounting plates etc. Cable glands and other accessories are also available.

We can supply handCASE enclosures fully customized to your requirements.

Enclosure sizes

4 versions, 2 lid variants

Dimensions L x W x H

3,14" x 7,08" x 1,66" to 3,93" x 8,66" x 2,45"

Additional info

Integrated recess in the lid for membrane keypad or front plates

Ergonomic design for non-fatiguing work

Alternative lid design for all enclosure sizes

Optional: Battery compartment made from ABS for 2 versions

Enclosure

Die-cast aluminum alloy:

EN AN-44300 DIN EN 1706

(GD Al Si 12/DIN 1725).

1° mold slope for casting ejection > internal circumference dimensions decrease by 1° towards enclosure bottom

Fastening

Optional: Holding clip (e.g. for strap)

Optional: Wall bracket for clip fastening

Optional: Carrying strap with protector

Internal mounting

M3 fastening thread on the enclosure base and in the lid

Ingress protection
IP 66 / EN 60529

Optional: IP 67 / EN

Free-fall DIN EN 60068-2-32

Gasket
TPE molded gasket, silicone-free, temperature resistance: -40°C to +120°C

Lid screws
Stainless steel 1.4567, captive

Surface
Powder coating

Lid: Silver metallic

Bottom: RAL 9005, deep black

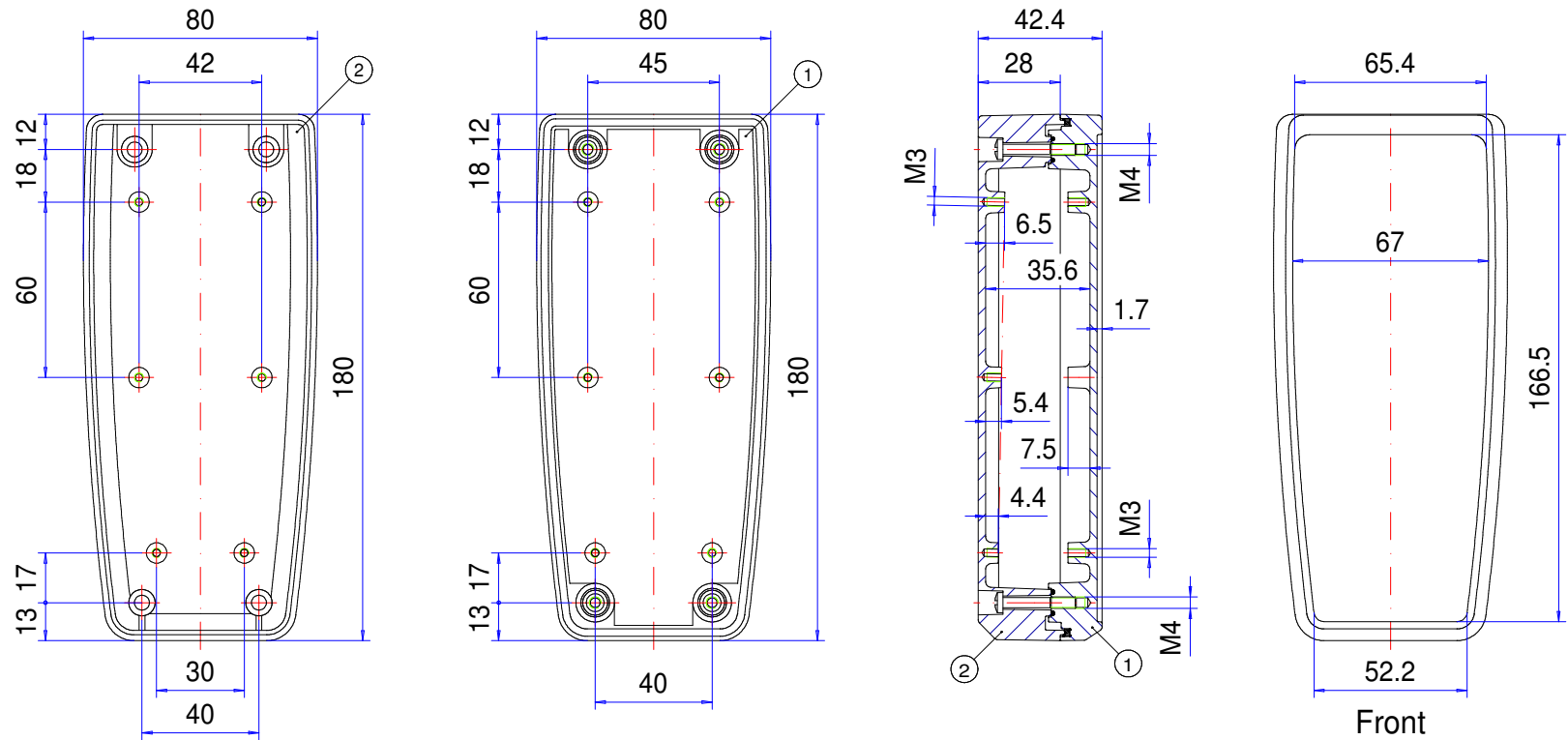
Optional: Special colors

Customizing
Learn more about our full customizing service for installation-ready enclosures


Enclosure series handCASE

Type: HCF 081 R

Material-No.: 272.081.000



① Lid ② Bottom

| | | | | |
|--------------------|--|--|--------------------|---|
| Enclosure material | GD-AI Si 12 (DIN 1725) |  | Ingress protection | IP66 EN 60529 |
| Lid screws | 4x stainless steel 1.4567 (V2A), captive | | Weight | 0,430 kg |
| Gasket | 1x TPE moulded gasket, siliconefree, black | | Coating | Powder coating silver metallic |
| | | | Tolerance | GTA 13/5 DIN 1688-4 (outside dimensions ±0,5mm) |
| | | | | |