

131.124.000
polyDOOR PD 124 FE



technical data

| | |
|------------------------|---|
| Material | Polyester |
| Protection class | IP 66/EN 60529 |
| Colour | Pebble gray RAL 7032 |
| Certifications | CSA (optional), GOST, UL (optional) |
| Length | 10.236" 260 mm |
| Width | 4.724" 120 mm |
| Height | 3.937" 100 mm |
| Weight (g) | 1250 g |
| Country of manufacture | Germany |
| Customs tariff number | 39269097 |

polyDOOR

HIGHLY RESISTANT GRP POLYESTER ENCLOSURES WITH HINGED FRONT LIDS

IP 66

polyDOOR is a range of weather-resistant IP 66 enclosures in glass-fibre reinforced polyester that features a hinged front lid for easy access. The enclosures are ideal for industrial electronics and control equipment used in harsh indoor and outdoor applications.

Special features include integrated hinges for opening the lid, transparent front windows and optional lid fixings: slotted (standard), triangular or square head for tamper protection, and hand screws for fast access. Threaded fixing pillars are provided inside for mounting the components. polyDOOR is available in a wide range of standard sizes. Cable glands and other accessories such as terminal rails and mounting plates are also available.

We can supply polyDOOR enclosures fully customized to your requirements.

Enclosure sizes

8 sizes with closed lid or with a viewing panel in the lid

Dimensions L x W x H

5,51" x 4,72" x 3,93" to 12,59" x 7,87" x 4,72"

Further information

Corrosion-resistant lid fastening thread made from stainless steel

Various locking screws available

Application-specific accessories available

Full protective insulation in accordance with VDE 0100

Enclosure

Polyester glass fiber reinforced, halogen-free

similar to RAL 7032, pebble gray, surface resistance < 10⁹ Ohm

Optional: similar to RAL 9005, deep black, surface resistance < 10⁹ Ohm

1° mold slope for casting ejection > internal circumference dimensions decrease by 1° towards enclosure bottom.

Flammability

UL 94 V-0, self-extinguishing

Fastening

Single-channel lid and assembly fastening outside of the enclosure interior

Optional: External mounting brackets made from stainless steel

Internal mounting

M6 fastening thread on the enclosure floor

Ingress protection
IP 66 / EN 60529

Gasket
EPDM O-ring gasket, temperature resistance: -40°C to +110°C

Optional: Silicone gasket, temperature resistance: -50°C to +140°C

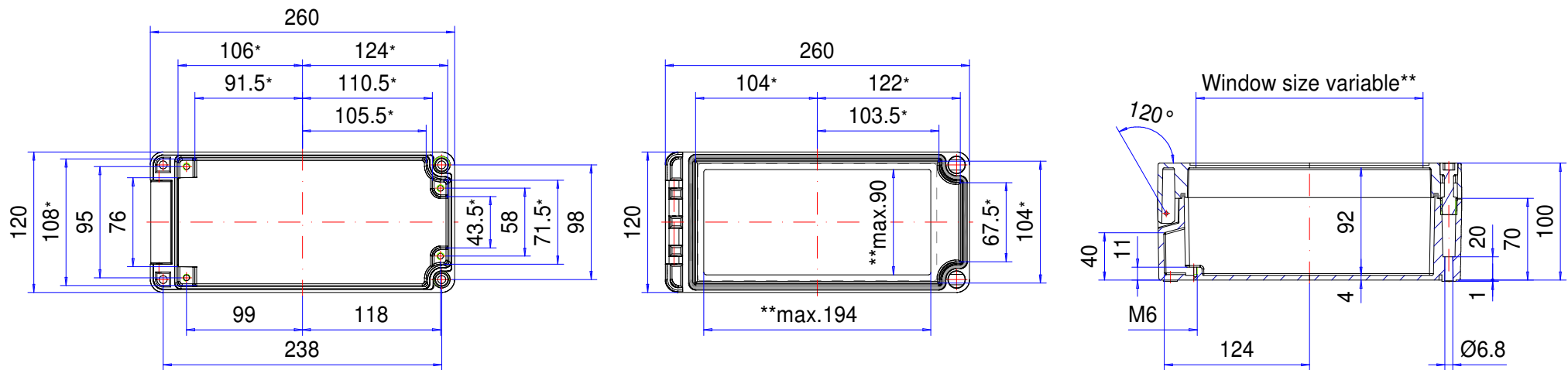
Lid screws
Polyamide, corrosion-resistant and captive, slotted design
Optional lid screws: triangular, square and hand screw

Customizing
Learn more about our full customizing service for installation-ready enclosures


Enclosure series polyDOOR

Type: PD 124 FE

Material-No.: 131.124.000



* Please note: Mould slope for casting ejection, dimensions in the amount of the bottom!

| | | | | |
|--------------------|---|--|--------------------|---|
| Enclosure material | Polyester GrP, UL 94 V-0, RAL 7032, pebble grey |  | Ingress protection | IP66 EN 60529 |
| Lid screws | 2x Polyamide (PA), captive | | Weight | 1.250 g |
| Gasket | 1x Chloroprene (CR), light grey | | Tolerance | DIN ISO 16901 T-130 (outside dimensions ±0,5mm) |
| | | | | |