

230.110.000
starCASE SC 110



technical data

Material	ASA LURAN
Protection class	IP 66/EN 60529
Colour	RAL 7035 RAL 7035
Length	5.512" 140 mm
Width	4.331" 110 mm
Height	2.362" 60 mm
Weight (g)	232 g
Country of manufacture	Germany
Customs tariff number	39269097

starCASE

ADVANCED PLASTIC ENCLOSURES MOLDED IN FLAME-RETARDANT ASA+PC

IP 66 The key product features:

- Enclosure material: ASA + PC
- Enclosure colour similar to RAL 7035
- Integrated lid support
- The enclosure can be mounted when the lid is fitted
- Sealing set
- Access safeguard by means of insert lock
- Lid screws stainless steel 1.4567
- Integrated recess in cover for membrane keypad or front plate
- Design covers to conceal the assembly level
- Fire protection class UL-94 V-0
- Ingress protection IP 66
- Enclosure seal: Silicone molded seal

starCASE is a truly multipurpose range of plastic enclosures molded in flame-retardant ASA+PC. These highly attractive and ergonomic housings are perfectly suitable for modern industrial electronics. The enclosures can be mounted on a wall, bulkhead, ceiling or machine – everything is possible.

Unique ROLEC design features include a recessed lid for fitting a membrane keypad, product label or front plate, hinged design covers which hide the lid screws and separate mounting channels, and lid retaining supports for holding the lid in place when the housing is open. The enclosures can be mounted without opening the lid which means your electronics remain protected at all times. Screw bosses are provided inside for fitting circuit boards, mounting plates, terminal rails etc. An optional lock prevents unauthorized access. Matching accessories and cable glands are also available.

We can supply starCASE enclosures fully customized to your requirements.

Enclosure sizes

8

Further information

Integrated recess for membrane keypads or front plates

Integrated lid support, polypropylene (PP)

Optional: Access safeguard by means of insert locks/sealing set

Full protective insulation in accordance with VDE 0100

Enclosure

ASA+PC, RAL 7035 light gray: 2° mold slope for casting ejection > internal circumference dimensions decrease by 2° towards enclosure base.

Snap-on design covers, captive, ASA LURAN S, RAL 7035 light gray

Special materials and colors on request

Flammability

UL 94 V-0 1.5 mm

Fastening

Separate screw channels outside of the enclosure interior. Enclosure fastened while lid closed

Internal mounting

Fastening option for self-grooving screws on the base of the enclosure and in the lid

Ingress protection

IP 66 / EN 60529

Gasket

Silicone molded seal

Lid screws

Stainless steel 1.4567, captive

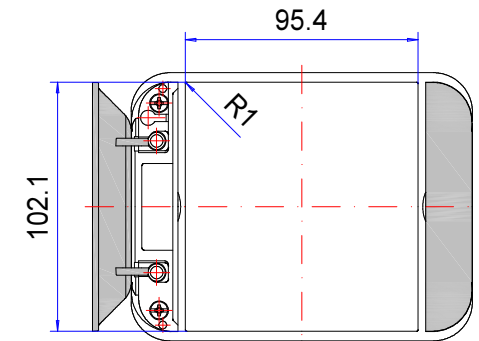
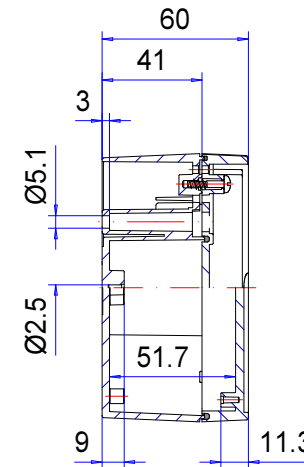
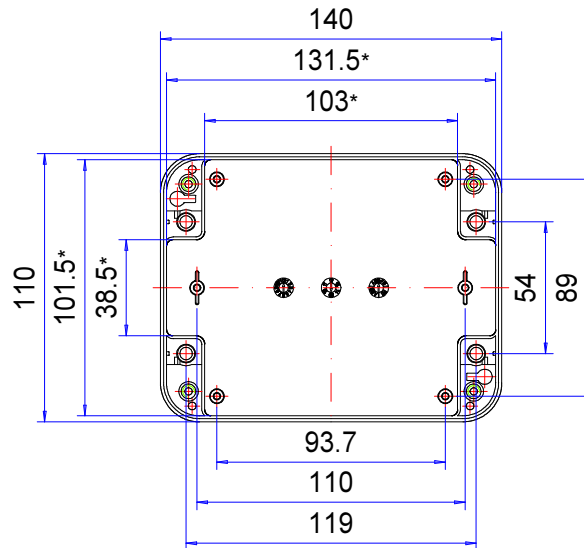
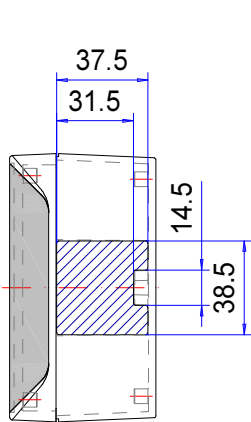
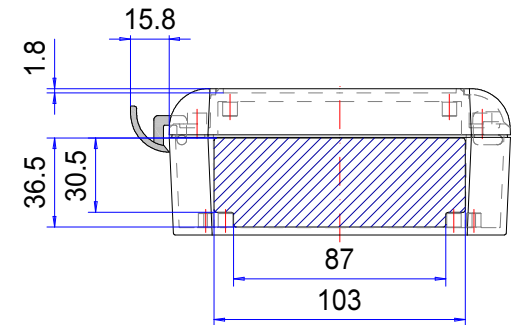
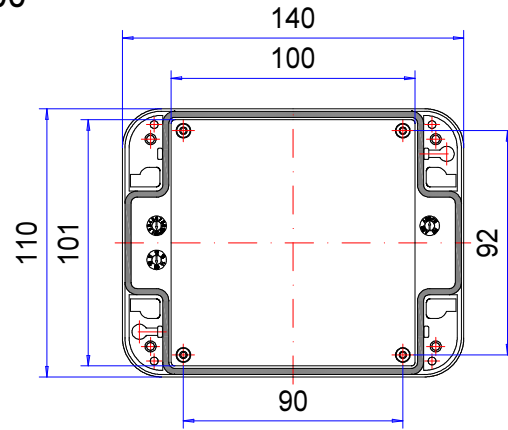
Customizing

Learn more about our full customizing service for installation-ready enclosures

Enclosure series starCASE

Type: SC 110

Material-No.: 230.110.000



Folie/ Keypad
101.9⁺⁰_{-0.2} x 95.2⁺⁰_{-0.2}

* Please note: Mould slope for casting ejection, dimensions in the amount of the bottom!

Enclosure material	ASA/PC, UL94 V0-1,5mm, RAL 7035, light grey		Weight	232 g
Lid screws	4x stainless steel 1.4567 (V2A), captive		Assembly screws	4x KBL Ø3x8,5 , galvanized steel
Gasket	1x moulded gasket, silicone, black		Lid supports	2x Polypropylen (PP), white
Ingress protection	IP66 EN 60529		Tolerance	DIN ISO 16901-130 (outside dimensions ±0,5mm)