

220.082.000
technoBOX TBA 082



technical data

Material	ABS
Protection class	IP 66/EN 60529
Colour	Light gray RAL 7035
Certifications	GOST
Length	4.764" 121 mm
Width	3.189" 81 mm
Height	2.362" 60 mm
Weight (g)	220 g
Country of manufacture	Germany
Customs tariff number	39269097

technoBOX

MODERN AND LOW COST ENCLOSURES FOR ELECTRONICS AND ELECTRICAL DEVICES

IP 66

technoBOX is a modern and inexpensive range of plastic enclosures for all types of electronics and electrical equipment. It is molded in tough and long life ABS. The bevelled lid gives the housing an attractive appearance. A recess is provided in the lid for fitting a membrane keypad, front plate or product label. Threaded screw bosses in the lid and base can be used for fitting circuit boards, mounting plates, terminal rails etc. Mounting plates, front plates, cable glands and other accessories are also available.

We can supply technoBOX enclosures fully customized to your requirements.

Enclosure sizes
10 sizes

Dimensions L x W x H

2,59" x 2,00" x 1,37" to 9,48" x 6,33" x 3,14"

Further information
Alternative Design due to slanted lid edges

Fastening points compatible with standard enclosures

Integrated recess in the lid for membrane keypad or front plates

Optional: External mounting brackets which can be turned by 90°

Full protective insulation in accordance with VDE 0100

Enclosure
ABS halogen-free, similar to RAL 7035 light gray

1° mold slope for casting ejection > internal circumference dimensions decrease by 1° towards enclosure bottom.

Special materials and colors on request

Flammability
UL 94 HB

Fastening
Separate screw channels outside of the enclosure interior.

Internal mounting
Fastening option for self-grooving screws on the base of the enclosure and in the lid

Ingress protection
IP 66 / EN 60529

Gasket

Chloroprene O-ring gasket (CR), temperature resistance: -30°C to +90°C

Lid screws

Stainless steel 1.4567, captive

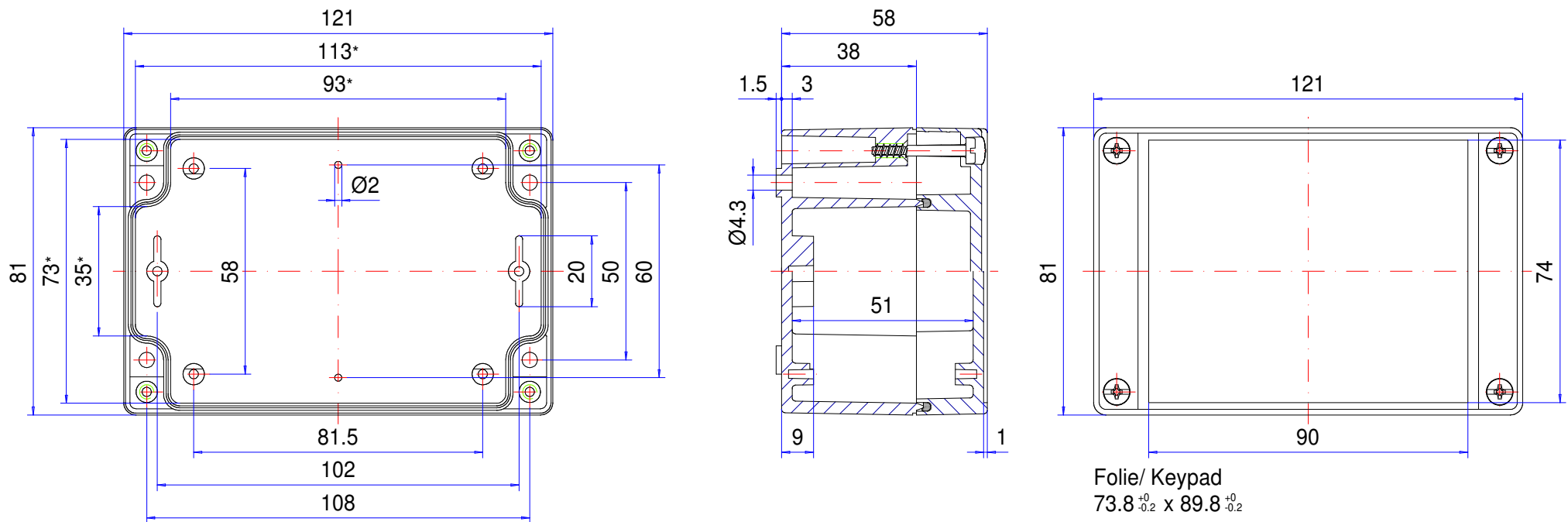
Customizing

Learn more about our full customizing service for installation-ready enclosures


Enclosure series technoBOX

Type: TBA 082

Material-No.: 220.082.000



* Please note: Mould slope for casting ejection, dimensions in the amount of the bottom!

Enclosure material	ABS, UL 94 HB, RAL 7035, light grey		Weight	200 g
Lid screws	4x stainless steel 1.4567 (V2A), captive		Assembly screws	4x KBL $\varnothing 3 \times 6$, galvanized steel
Gasket	1x Chloroprene (CR), light grey		Surface	Mirror finished
Ingress protection	IP66 EN 60529		Tolerance	DIN ISO 16901 T-130 (outside dimensions $\pm 0,5\text{mm}$)