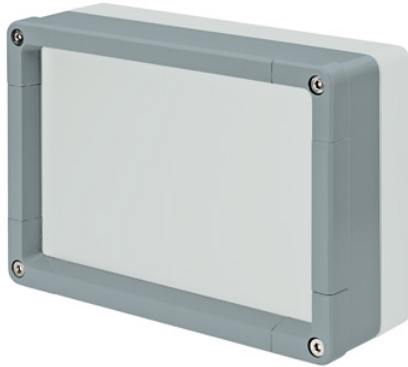


123.204.000
aluFACE KVF 204



technical data

Material	Aluminum
Protection class	IP 65/66 EN 60529
Colour	Lid RAL 7040, Windows gray RAL 7040, Bottom RAL 7035, Light gray RAL 7035
Certifications	GOST
Length	15.748" 400 mm
Width	7.874" 200 mm
Height	3.740" 95 mm
Weight (g)	4620 g
Country of manufacture	Germany
Customs tariff number	76169910

aluFACE

VERSATILE CONTROL/COMMAND ENCLOSURES IN DIECAST ALUMINUM

IP 65, IP 66

aluFACE is a robust and highly versatile range of command and control enclosures which feature fixed or hinged front sections. The enclosures are ideal all types of industrial controls and display technology.

The aluFACE range is available in six different versions with diecast aluminum base sections and diecast or extruded frame lids. The enclosures are supplied with an anodized aluminum front panel which is recessed to protect controls and keypads. Internal threaded screw bosses are provided for fixing PCBs, support rails, mounting plates etc. The larger enclosures in the range can be mounted to our suspension arm systems.

We can supply aluFACE enclosures fully customized to your requirements.

Enclosure sizes

6 variants - 66 dimensions of L x W x H

4,72" x 4,72" x 3,14" to 25,19" x 12,59" x 5,31"

KTE range: Secure connection technology in connection space (opened independently), both chambers can be separated, various lid variants, ingress protection IP 66

KE range: Flat framework, single-piece aluminum frame, front plate without visible screws, aluminum front plate, easy to assembly, ingress protection IP 66

KSE range: High framework, two-piece lid, with lock and hinges, ingress protection IP 65

KCE range: High framework, two-piece lid, with lock and hinges, ingress protection IP 65

KVE range: Flat framework, two-piece lid, inexpensive screwed version, ingress protection IP 65

KVF range: Flat framework, flat bottom, two-piece lid, inexpensive screwed version, ingress protection IP 65

Additional info

Enclosure

Diecast aluminum

EN AC 44300/EN AC-44200 (DIN EN 1706)

1° mold slope for casting ejection > internal circumference dimensions decrease by 1° towards enclosure bottom.

Front door (KSE/KCE range): Extruded aluminum profiles

Diecast zinc corner pieces with standard front plate: Aluminum 3 mm, Al Mg 1, silver anodized

Optional: Finished front plates, bored, stamped, engraved or printed

Optional: Steel pipe handle frame, powder coated, RAL 3020, traffic red or RAL 9005 black

Closure (KSE/KCE range): Hinges and locks on the narrow sides (side W), optionally also on the long sides (side L)

Fastening

With ROLEC suspension arm system taraPLUS and profiPLUS or attached to wall

Internal mounting

Fastening thread M6 on the enclosure floor

Ingress protection

IP 65, IP 66 / EN 60529

Gasket

Depends on variant and size:

Chloroprene O-ring gasket (CR), temperature resistance: -30°C to +90°C

or TPE molded gasket, silicone-free, temperature resistance: -30°C to +100°C

Surface

Powder coating

Enclosure: RAL 7035, light gray

Front frame: RAL 7040, window gray

Optional: Special colors

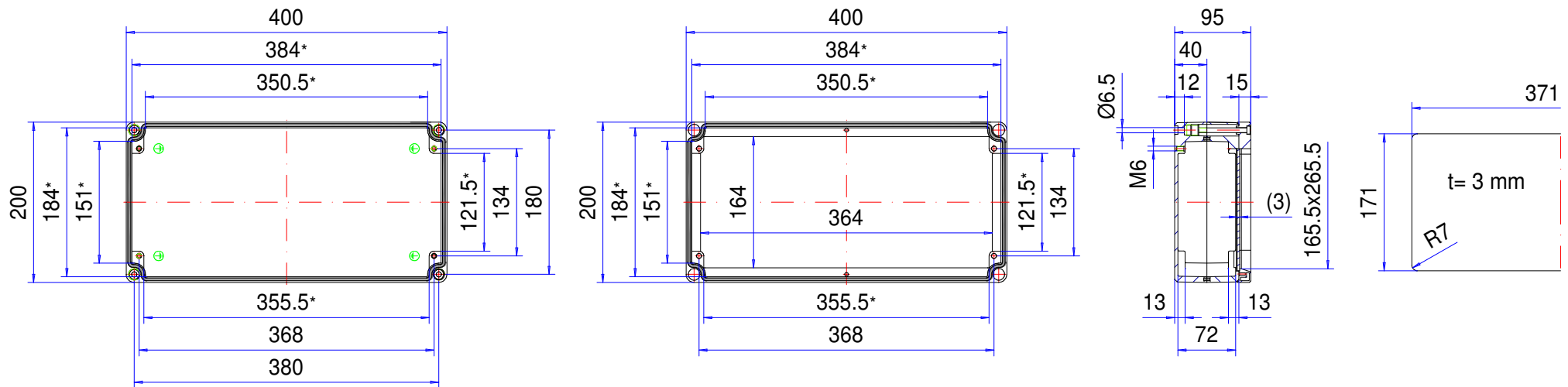
Customizing

Learn more about our full customizing service for installation-ready enclosures

Enclosure series aluFACE

Type: KVF 204

Material-No.: 123.204.000



* Please note: Mould slope for casting ejection, dimensions in the amount of the bottom!

Enclosure material	GD-Al Si 12 (DIN 1725)		Weight	4.620 g
Lid screws	4x stainless steel 1.4567 (V2A), captive		Earthing screws	4x M6x9, copper-plated
Gasket	1x TPE moulded gasket, siliconefree, black		Coating	Powder coating RAL 7040, window grey + RAL 7035, light grey
Ingress protection	IP66 EN 60529		Tolerance	GTA 13/5 DIN 1688-4 (outside dimensions ±0,5mm)