

**142.005.001**  
**Socket joint, vertical**



**technical data**

Material	Plastic (POM), Aluminum
Protection class	IP 54/EN 60529
Colour	RAL 7035 RAL 7035, RAL 7016 RAL 7016
Weight (g)	4100 g
Country of manufacture	Germany
Customs tariff number	76169910

## profiPLUS 50

### DESIGNER SUSPENSION ARM SYSTEM FOR LIGHT TO MEDIUM LOADS

#### IP 54

##### The key product features:

- System parts material: Die-cast aluminium, powder coating, RAL 7035
- Suspension profile material: Aluminium profile, in anodised silver
- Whether profiPLUS 50 or 70: both systems offer sufficient space for cable routing
- Simple height adjustment with patented 'screw adjustment'
- End-to-end potential equalisation to protect humans and equipment
- Matching adapters, e.g. for Siemens, Beckhoff, B&R
- Matching adapters, e.g. for Beckhoff, Siemens, B&R and further panel manufacturers
- Many couplings with pre-fitted suspension profile as standard
- Can be used with all ROLEC control enclosures; the perfect complement to 'multiPANEL' and 'profiPANEL'
- Possible to route connectors such as HDMI, DVI, network adapters, etc.
- Integrated cable protection
- Ingress protection IP 54
- Gasket: Chloroprene (CR)

**Feel free to use our practical suspension arm configurator. Please choose whether you want a HORIZONTAL or VERTICAL alignment.**

---

profiPLUS 50 is a modern suspension arm system which combines ergonomic design with advanced technology. The highly attractive appearance perfectly matches the design of modern machines. The range includes mounting adapters for connecting to display panels from leading manufacturers such as Siemens, B&R and Beckhoff.

The profiPLUS 50 system is designed for time-saving assembly. For this, ROLEC engineers have developed the "one-screw adjustment" feature which means the system can be fully adjusted by just a single screw. All system couplings are pre-fitted with a support profile as standard, saving assembly time. The ducts in the interior of the system provide space for multiple cables such as HDMI, DVI and network cables. Cable protectors are integrated into all rotating system elements as standard. Fully integrated electrical bonding protects operators and the machinery. A set screw system in the joints allows adjustment of the pivoting range in 30° steps. For higher loads, a reducer adapter also enables connection of profiPLUS 50 to the larger profiPLUS 70 system.

Load-bearing capacity

[embed\\_LBC\\_diagram\\_start\\_#etc/traglast/Belastungsdiagramm\\_PP50\\_EN.jpg#embed\\_LBC\\_diagram\\_end](#)

Principle

Economic, compact and elegant designer suspension arm system for light to medium loads

#### Additional info

Possible to connect control enclosures from leading manufacturers such as Siemens, Beckhoff, B&R and ROLEC

The spacious cable routing offers an optimum connection with all interfaces, sufficient space is available for a range of cables and connectors

Patented ROLEC solution for alignment of the complete system in a horizontal direction through a single set screw!

Continuous equipotential bonding, DIN VDE 0113 / EN 60204-1 / IEC 204-1

All couplings are equipped with pre-fitted support profile as standard

Integrated cable protection in all system parts

Optional: Signal light adapters for joint and elbow

#### Material/coating

Diecast aluminum alloy, powder coated RAL 7035 light gray

Optional: Special colors

Support profiles: Extruded aluminum profile, anodized silver, preformed fastening thread

Optional: Anodized special colors or powder coated

Covers: Plastic (POM), RAL 7015 slate gray

Bellows: PVC-P, RAL 7016 anthracite gray, temperature resistance: -30°C to +70°C

#### Gasket

Chloroprene O-ring gasket (CR)

#### Cable routing

Suitable for HDMI, patch cables, DVI, USB, cold-device plugs etc.

#### Ingress protection

IP 54 / EN 60529

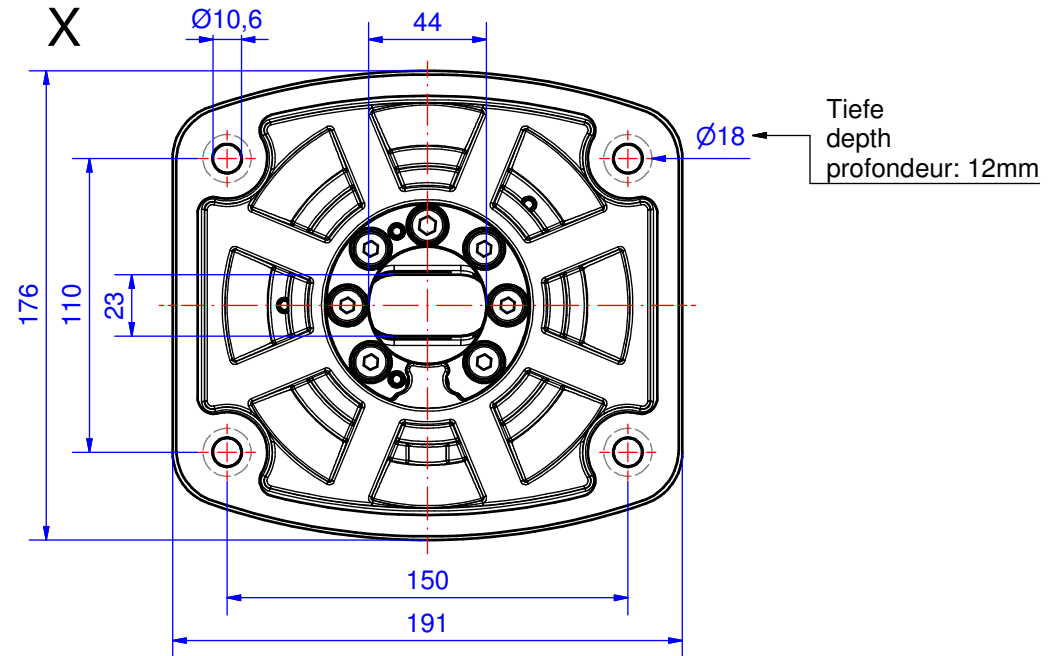
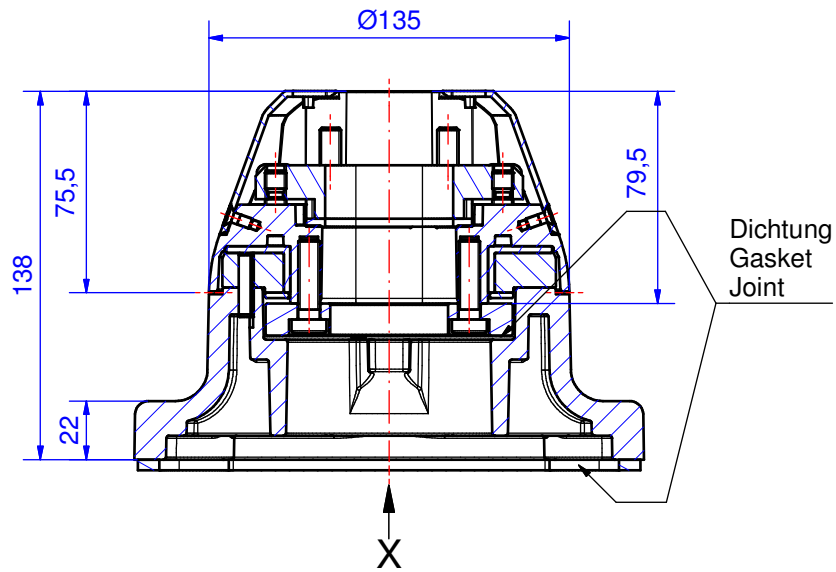
#### Customizing

Learn more about our full customizing service for installation-ready enclosures

# Suspension-System profiPLUS 50

Type: Socket joint vertical

Material-No.: 142.005.001



Suspension system material	GD-Al Si 12 (DIN 1706)		Bending range	304°
Gasket	2x Chloroprene (CR), black		Weight	4.100 g
Mounting screws	4x M8, galvanized steel		Surface	Powder coating RAL 7035, light grey
Ingress protection	IP54 EN 60529		Tolerance	GTA 13/5 DIN 1688-4 (outside dimensions ±0,8mm)