

149.035.015 Console elbow coupling A, hanging



technical data

| | |
|------------------------|------------------------------|
| Protection class | IP 54/EN 60529 |
| Colour | RAL 7031, Blue gray RAL 7031 |
| Weight (g) | 2600 g |
| Country of manufacture | Germany |
| Customs tariff number | 73089098 |

taraPLUS Beckhoff

MULTIVARIABLE SUSPENSION ARM SYSTEM FOR BECKHOFF DISPLAY PANELS

IP 54

taraPLUS Beckhoff was developed for light to medium loads and specifically for fitting Beckhoff display panels. It is quick and easy to assemble on site and the large openings in the system parts allow cables to be easily fed through. The special Beckhoff design combines round and square profiles, thereby achieving high static equilibrium. taraPLUS is a tried and trusted system with ingress protection of IP 54.

Load-bearing capacity

embed_LBC_diagram_start_#etc/traglast/Belastungsdiagramm_Tara_EN.jpg#embed_LBC_diagram_end

Principle

Many variants, closed system with easy access to system parts for light to medium loads

Additional info

Simple alignment of the system

Easy installation of the cables

Special design due to the combination of rectangular and round tubes

Material/coating

System elements: Die-cast aluminum

EN AN-44300 DIN EN 1706

(GD Al Si 12/DIN 1725)

Powder coating RAL 7031, blue gray

Optional: Special colors

Suspension pipes: Fe

Powder coating RAL 9006, white aluminum

Optional: Special colors

Bellows: PVC, RAL 7035, light gray

Cable routing

1,88" (48 mm) tube = 1,65" (42 mm) Ø

2,75" (70 mm) tube = 2,44" (62 mm) Ø

2,36"/1,57" (60/40 mm) tube = 2,12" x 1,33" (54 x 34 mm)

Ingress protection

IP 54 EN 60529

Torque for cutting ring screws

30 Nm = 3 kg/m



<https://www.rolec-usa.com>

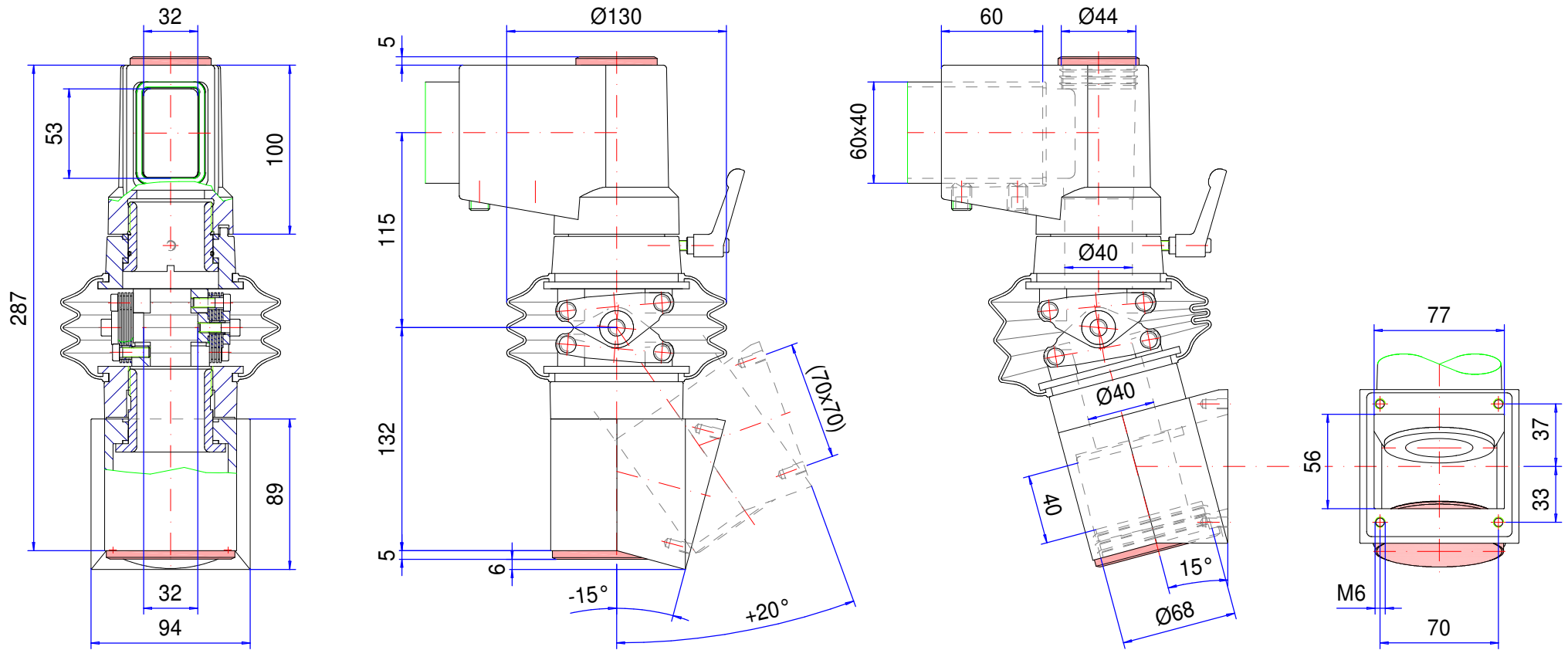



Our *passion* is enclosures.

Suspension-system taraPLUS

Type: Console inclination elbow rotary coupling, hanging

Material-No.: 149.035.015



| | | | | |
|--------------------------|--------------------------|--|----------------|--|
| Material system elements | GK-Al Si 12 (DIN 1725) |  | Pivoting range | 300° |
| Gasket | Chloroprene (CR), black | | Weight | 2,600 kg |
| Assembly screws | 2x M12, galvanized steel | | Coating | Powder coating RAL 7031, blue grey |
| Ingress protection | IP54 EN 60529 | | Tolerance | GTA 14/5 DIN 1688-3 (outside dimensions $\pm 0,8\text{mm}$) |