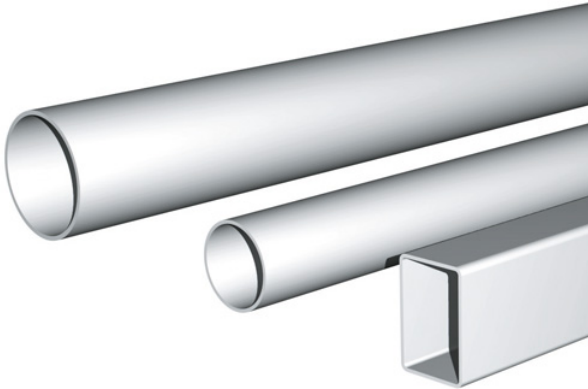


144.322.000
Round tube Ø70 2000 mm



technical data

Protection class	IP 54/EN 60529
Colour	Light gray RAL 7035
Certifications	GOST
Weight (g)	13800 g
Country of manufacture	Germany
Customs tariff number	73089098

taraPLUS

MULTIVARIABLE SUSPENSION ARM SYSTEM FOR LIGHT TO MEDIUM LOADS

IP 54

The taraPLUS suspension arm system was developed for light to medium loads. It is quick and easy to assemble on site. The large openings in the system parts allow cables to be easily fed through. The special design combines round and square profiles, thereby achieving high static equilibrium. taraPLUS is a tried and trusted system which is tested to IP 54 protection class.

Load-bearing capacity

embed_LBC_diagram_start_#etc/traglast/Belastungsdiagramm_Tara_EN.jpg#embed_LBC_diagram_end

Principle

Many variants, closed system with easy access to system parts for light to medium loads.

Additional info

Simple alignment of the system

Easy installation of the cables

Special design due to the combination of rectangular and round tubes

Material/coating

System elements: Die-cast aluminum

EN AN-44300 DIN EN 1706

(GD Al Si 12/DIN 1725)

Powder coating RAL 7040, window gray

Optional: Special colors

Suspension pipes: Fe

Powder coating RAL 7035, light gray

Optional: Special colors

Bellows: PVC, RAL 7035, light gray

Cable routing
1,88" (48 mm) tube = 1,65" (42 mm) Ø

2,75" (70 mm) tube = 2,44" (62 mm) Ø

2,36"/1,57" (60/40 mm) tube = 2,12" x 1,33" (54 x 34 mm)

Ingress protection
IP 54 EN 60529

Torque for cutting ring screws
30 Nm = 3 kg/m



<https://www.rolec-usa.com>



Our *passion* is enclosures.

Suspension-system taraPLUS

Type: Tubes round Ø70

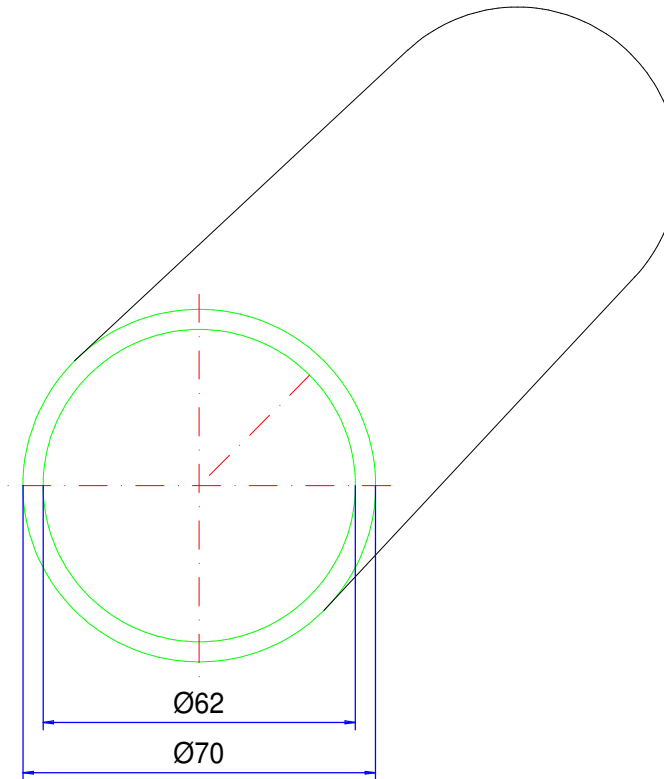
Material-No.: 144.32*.***

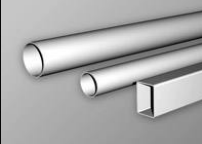
144.320.250 (L= 250 mm)

144.320.500 (L= 500 mm)

144.321.000 (L= 1000 mm)

144.322.000 (L= 2000 mm)



Material system elements	Steel, seamless, cold-drawn		Pivoting range	---
Gasket	---		Weight	6,900 kg/ m
Assembly screws	---		Coating	Powder coating RAL 7035, light grey
Ingress protection	IP54 EN 60529		Tolerance	EN 10305-4 (DIN 2391)