

**246.154.000**  
**inoBOX IBBF 154**



**technical data**

Material	Stainless steel
Protection class	IP 66/EN 60529
Colour	Stainless steel SS
Certifications	CSA (optional), GOST, UL (optional)
Length	11.811"   300 mm
Width	5.906"   150 mm
Height	3.543"   90 mm
Weight (g)	2000 g
Country of manufacture	Germany
Customs tariff number	73269098

## **inoBOX A4**

INNOVATIVE A4 STAINLESS STEEL ENCLOSURES PROTECT VALUABLE ELECTRONICS EQUIPMENT

### **IP 66**

inoBOX 1.4404/A4 stainless steel enclosures impress with the usual ROLEC benefits - for every type of industrial internal mounting. Spacers are fitted in the bottom for mounting circuit boards, supporting rails or mounting plates. There is also an earthing bolt attached to the lid. Cable glands, mounting plates and other accessories are also available. For smaller order volumes, processing is carried out in our in-house laser processing centre. This offers maximum flexibility in the processing of products required at short notice.

Enclosure sizes

14

Further information

1.4404/A4, international designation: AISI 316

Enclosure

Stainless sheet steel, edged and welded, alloy 1.4404 (AISI 316) V4A, sheet thickness 1.2 mm

Fastening

Optional external fastening available

Internal mountings

Fastening points for mounting cross rails and mounting plates in the bottom

Earthing bolt M5 in the lid

Ingress protection

IP 66 / EN 60529

NEMA 4X

IK08 EN 62262

Gasket

Polyurethane (PU), temperature resistance - 40°C to + 80°C

Lid screws

Stainless steel, captive, cross slot

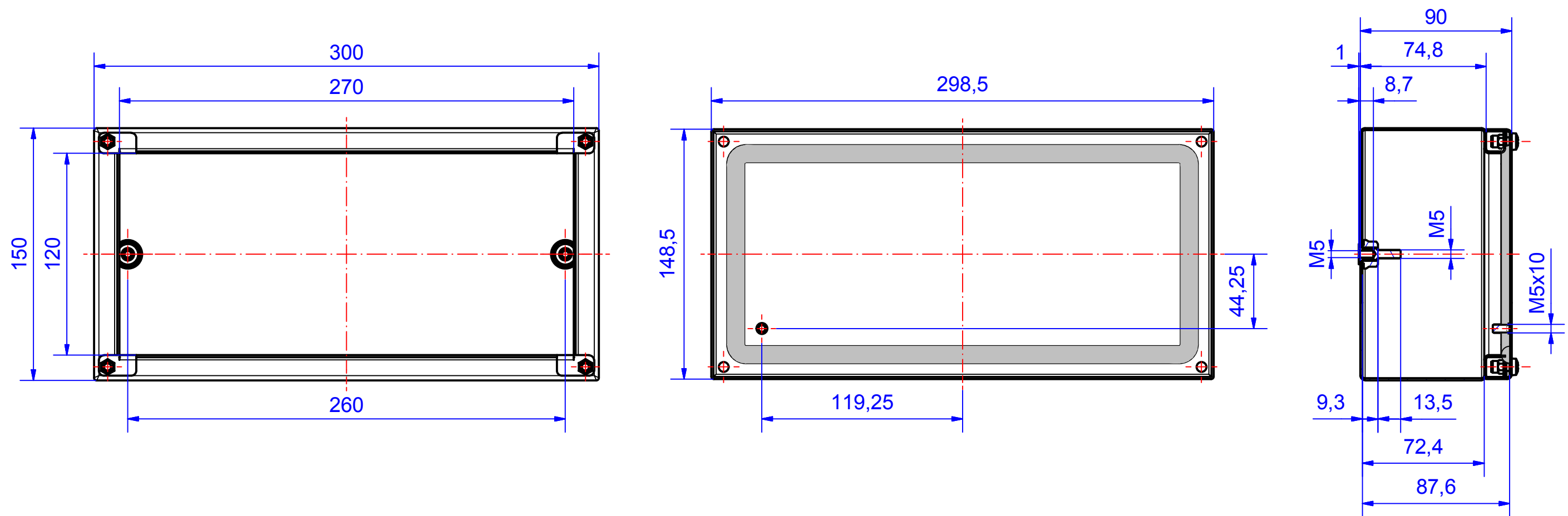
Surface  
Polished

ROLEC Service  
Utilise our full service offer for installation-ready enclosures

Enclosure series inoBOX

Type: IBBF 154

Material-No.: 246.154.000



Enclosure material	V4A, 1.4404 (AISI 316)		Weight	2,0 kg
Lid screws	4x V4A, captive		Sheet thickness	1,2 mm
Gasket	Polyurethane, dosed gasket		Surface	Grinded, Scotch-Brite
Ingress protection	IP66 EN 60529		Tolerance	DIN ISO 2768-m DIN 6935