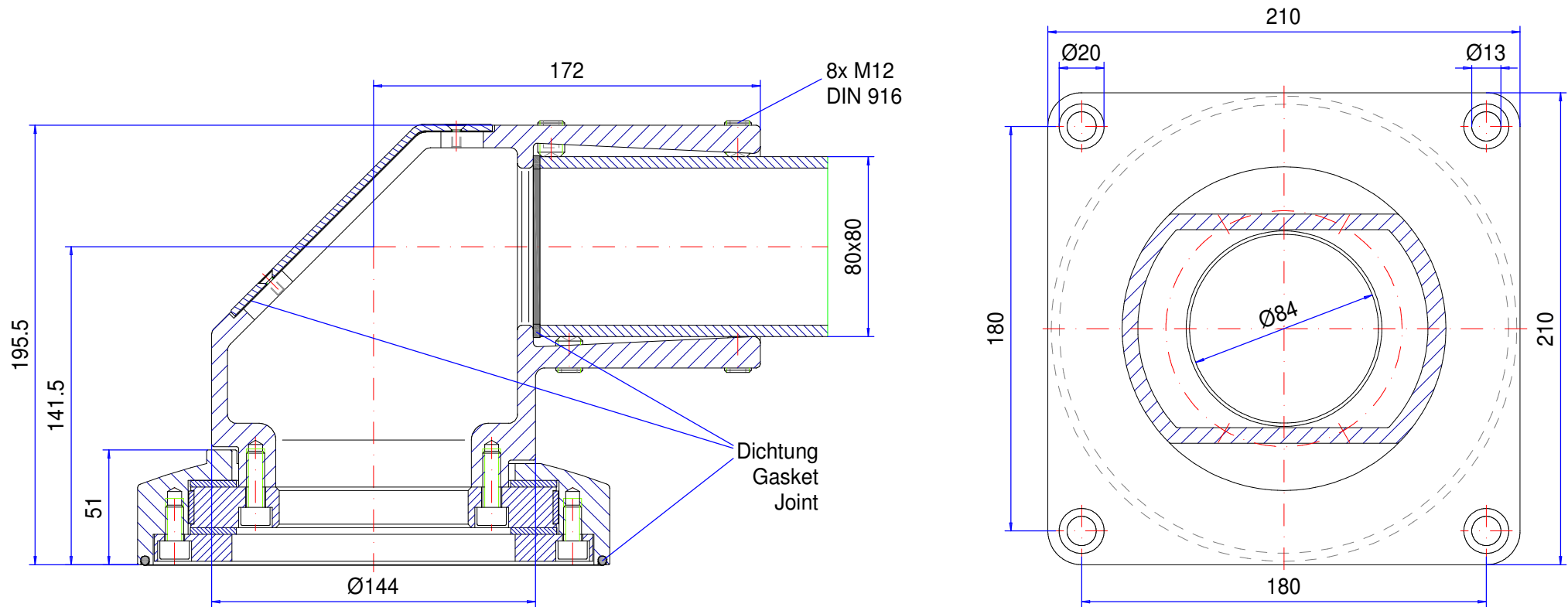



# Suspension-system Quadro 80

Type: Socket joint

Material-No.: 147.005.700



|                          |                          |   |                |  |
|--------------------------|--------------------------|---|----------------|--|
| Material system elements | GGG-40 (DIN 1693)        |  | Pivoting range | 300°   |
| Gasket                   | Chloroprene (CR), black  |   | Weight         | 15,700 kg  |
| Assembly screws          | 8x M12, galvanized steel |   | Coating        | Powder coating RAL 7040, window grey                         |
| Ingress protection       | IP54 EN 60529            |   | Tolerance      | GTA 14/5 DIN 1688-3 (outside dimensions $\pm 0,8\text{mm}$ ) |
|                          |                          |   |                |  |

**147.005.700**  
**Socket joint**



**Product overview**

|                  |                |
|------------------|----------------|
| Protection Class | IP 54/EN 60529 |
| Color            | RAL 7040       |
| Weight (g)       | 15700 g        |

## QUADRO 80

### THE STABLE SUPPORT ARM SYSTEM

#### IP 54

#### The most important product features:

- Profile cross-sections: square 80 mm
- System parts material: diecast aluminum/spheroidal graphite iron, powder coating, RAL 7040
- Suspension profile material: drawn steel, powder coating, RAL 7035
- Various connections available
- Can be used with all ROLEC control enclosures
- Possible to route connectors such as HDMI, DVI, network adapters, etc.
- Gasket: chloroprene (CR)

---

QUADRO 80 gets its name from the 80 mm square steel profiles which form the basis of the system. Connection joints and couplings are made of high load spheroidal graphite which provides a higher than average bearing strength. The overall static equilibrium of the system is extremely high due to its use of steel profiles.

QUADRO can be assembled quickly and easily at the point of use, thanks to its sophisticated technology. The articulated parts are equipped with a swivel limiter. A control lamp adapter completes the extensive package. Compatible command enclosures include **commandCASE**, **aluFACE** und **profiPANEL**.

#### Principle

Closed system with easy access to system parts for heavy loads

#### Additional info

Simple alignment of the system

Heavy-duty system parts made from spheroidal graphite

Signal light adapter available for the elbow

Compatible ROLEC control enclosures: **commandCASE**, **aluFACE**, **profiPANEL**

#### Material/coating

System elements: Aluminum and high-tensile spheroidal graphite

Powder coating RAL 7040, window gray

Optional: Special colors

Supportprofile: Steel, drawn

Powder coating RAL 7035, light gray

Optional: Special colors

Bellows: PVC, RAL 7035, light gray

#### Cable routing

Suitable for HDMI, patch cables, USB etc., not suitable for DVI plugs

**Ingress protection**

IP 54 / EN 60529

**Torque for cutting ring screws**

30 Nm = 3 kg/m

# Full-Service-Products

Customization according to your wishes.



Our passion is enclosures.



Expert advice

Everything begins with individual advice. We'll be pleased to support you with your project and find solutions for every requirement. Customer-specific solutions are our speciality.



Sample service

Test our products with your internal mounting. We'll be pleased to send you a sample enclosure for inspection with no strings attached.



Drilling

We'll manufacture every enclosure for you according to your exact specifications – whether they involve precise drilling or large tolerance.



Milling

Thanks to our modern CNC production, we can quickly and efficiently mill custom-fit cut-outs and contours to match your exact specifications.



Engraving

Our services also include engraving your logo and other elements, which we can of course perform in any colour you desire.



Lasering

We can process stainless steel enclosures and plates quickly and reliably according to your individual requirements thanks to our in-house lasering centre.



Powder coating

We can powder coat enclosures, command enclosures and suspension systems in any RAL colour you desire. Custom colours are of course also possible.



Painting

We can also paint all our enclosures in any RAL colour you desire. The application of primer and special colour structures are possible, as well.



Serigraphy

If desired, we can apply your logo and lettering or other markings using serigraph printing.



Digital printing

Digital printing is particularly worthwhile for low-volume orders and for realising complex patterns or images.



EMC enclosures

We offer our conFORM low-price standard EMC enclosure to protect your internal mounting against electromagnetic radiation. On request, we can also supply an EMC-compliant version of any other ROLEC enclosure.



Displays

We are able to offer the right made-to-measure display for all our enclosures – in varying sizes and degrees of robustness depending on the application.



Accessories

ROLEC's portfolio also includes matching front plates, mounting plate, supporting rails and terminal blocks as well as a range of cable glands, blanking plugs etc.



Assembly

Would you like to have all your components supplied already assembled? No problem. Our assembly team will be pleased to perform all assembly work on your behalf.



Our Service

If you have any requirements for services not listed here, please ask us. Customer-specific solutions are our speciality. We also are keen to take on unusual tasks.

We will help you with those challenges that many others would give up on.