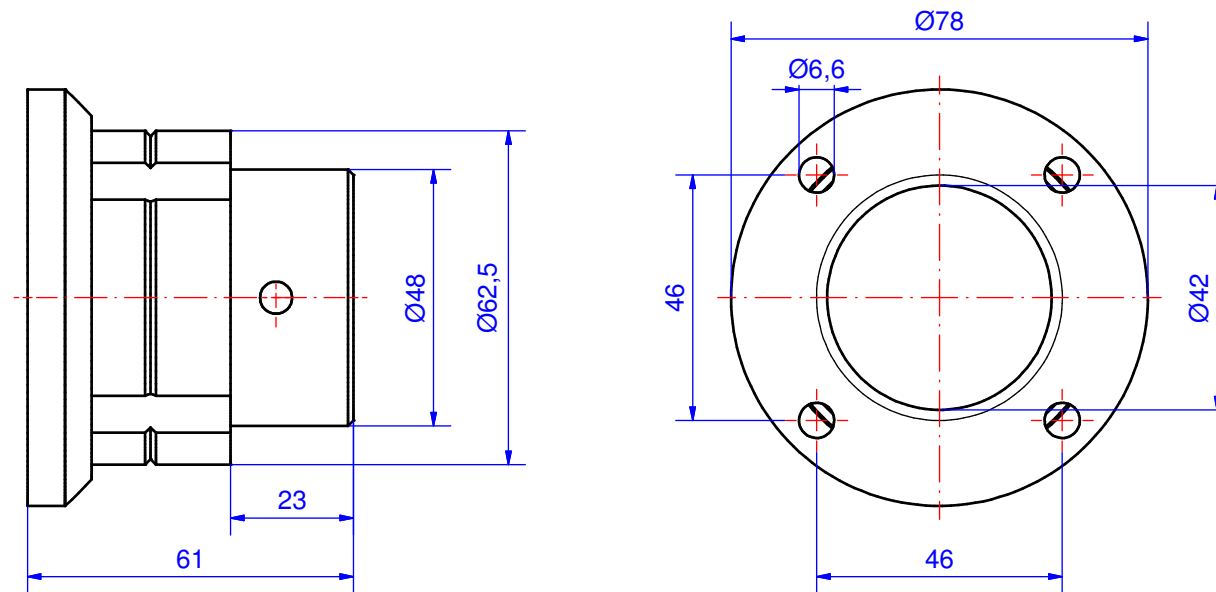


Suspension-System profiPLUS 50

Type: Adapter B&R

Material-No.: 142.000.008



Suspension system material	Steel, Aluminium		Bending range	---
Gasket	---		Weight	641 g
Mounting screws	4x M6x12, galvanized steel		Surface	Powder coating RAL 7035, light grey
Ingress protection	IP54 EN 60529		Tolerance	GTA 13/5 DIN 1688-4 (outside dimensions $\pm 0,8$ mm)