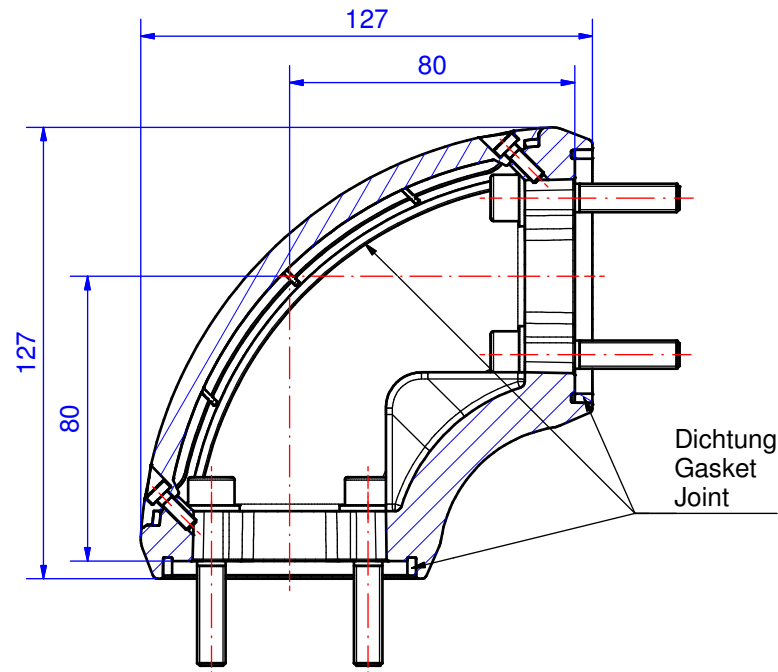
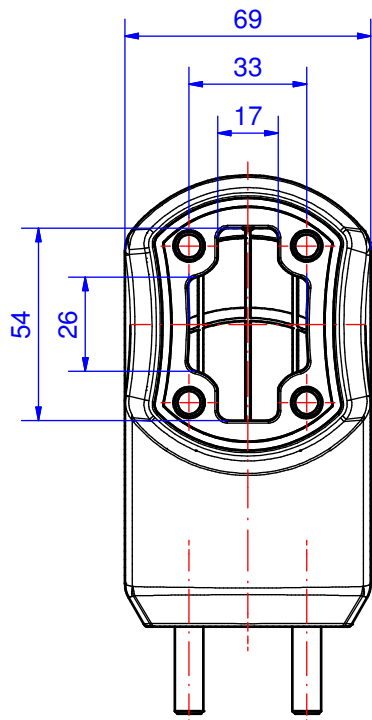


Suspension-System profiPLUS 50

Type: Elbow

Material-No.: 142.020.000



Suspension system material	GD-AI Si 12 (DIN 1706)		Bending range	0°
Gasket	3x Chloroprene (CR), black		Weight	750 g
Mounting screws	8x M8, galvanized steel		Surface	Powder coating RAL 7035, light grey
Ingress protection	IP54 EN 60529		Tolerance	GTA 13/5 DIN 1688-4 (outside dimensions ±0,8mm)