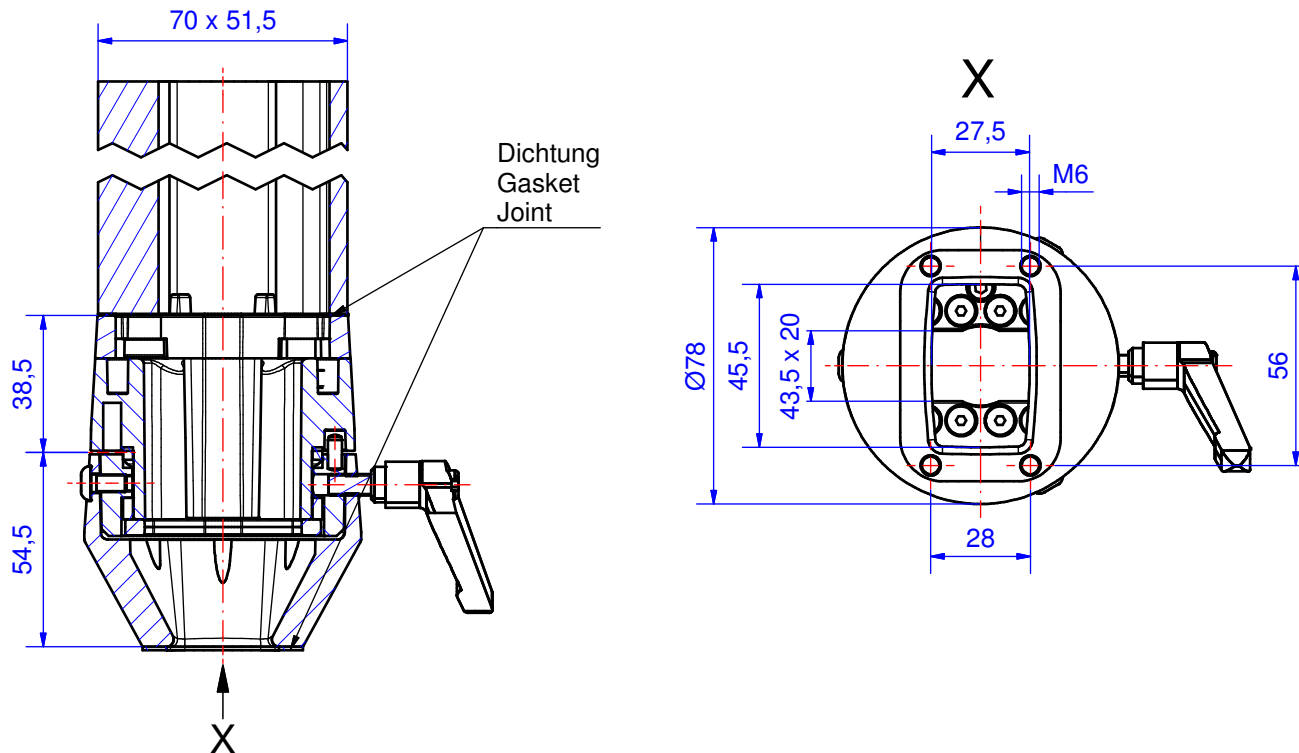


Suspension-System profiPLUS 50

Type: Panel-coupling, hanging

Material-No.: 142.23*.***
 142.230.250 (l= 250mm)
142.230.500 (l= 500mm)
 142.230.750 (l= 750mm)
 142.231.000 (l=1000mm)



Suspension system material	GD-AI Si 12 (DIN 1706)		Bending range	310°
Profile material	Extruded aluminium		Weight	850 g + profile 3.600 g/m
Gasket	2x Chloroprene (CR), black		Surface	Powder coating RAL 7035, light grey
Mounting screws	4x M6, galvanized steel		Surface profile	Silver anodized
Ingress protection	IP54 EN 60529		Tolerance	GTA 13/5 DIN 1688-4 (outside dimensions ±0,8mm)