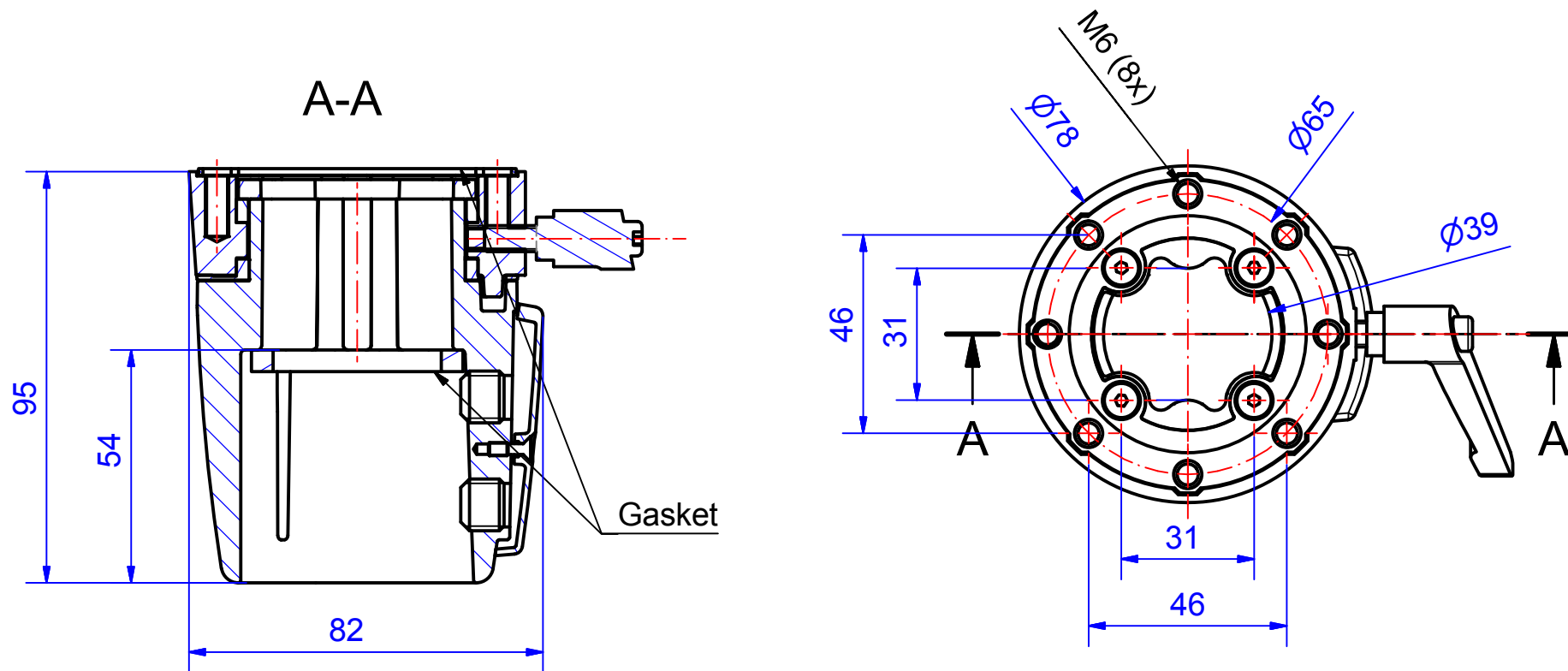


Suspension-System taraSMART



Type: Coupling Ø48

Material-No.: 141.025.001



			Cover	Thermoplastic / RAL 7016
Suspension system material	Die-cast aluminium		Bending range	max. 310°
Gasket	Chloroprene (CR), black		Weight	580g
Mounting screws	2x M12, galvanized steel		Surface	Powder coating RAL 7035, light grey
Ingress protection	IP54 EN 60529		Tolerance	Outside dimensions ±0,8mm; others DIN EN ISO 8062-3 DCTG 5