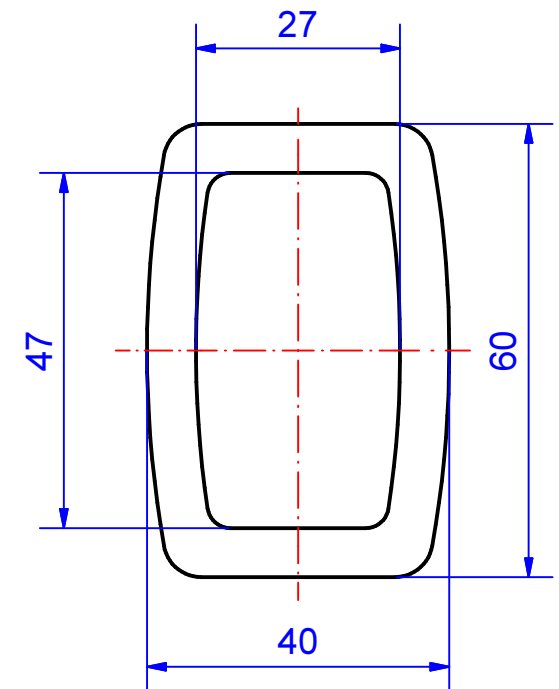
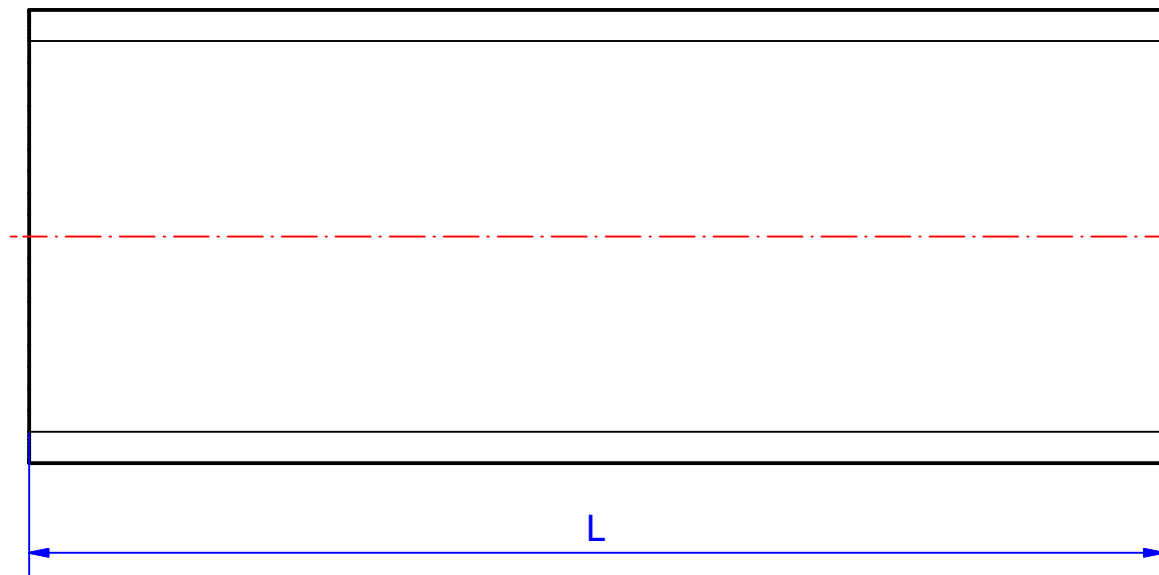


Suspension-System taraSMART



Type: Support profile

Material-No.:
144.500.250 (L= 250 mm)
144.500.500 (L= 500 mm)
144.500.750 (L= 750 mm)
144.501.000 (L= 1000 mm)



Material	Aluminium		Surface	Silver anodized
Weight	2,9 kg/ m		Tolerance	Linear dimension ± 1 mm, remaining dimensions DIN ISO 8015 EN 12020